

PZ29D CE

Spare parts

Ersatzteile

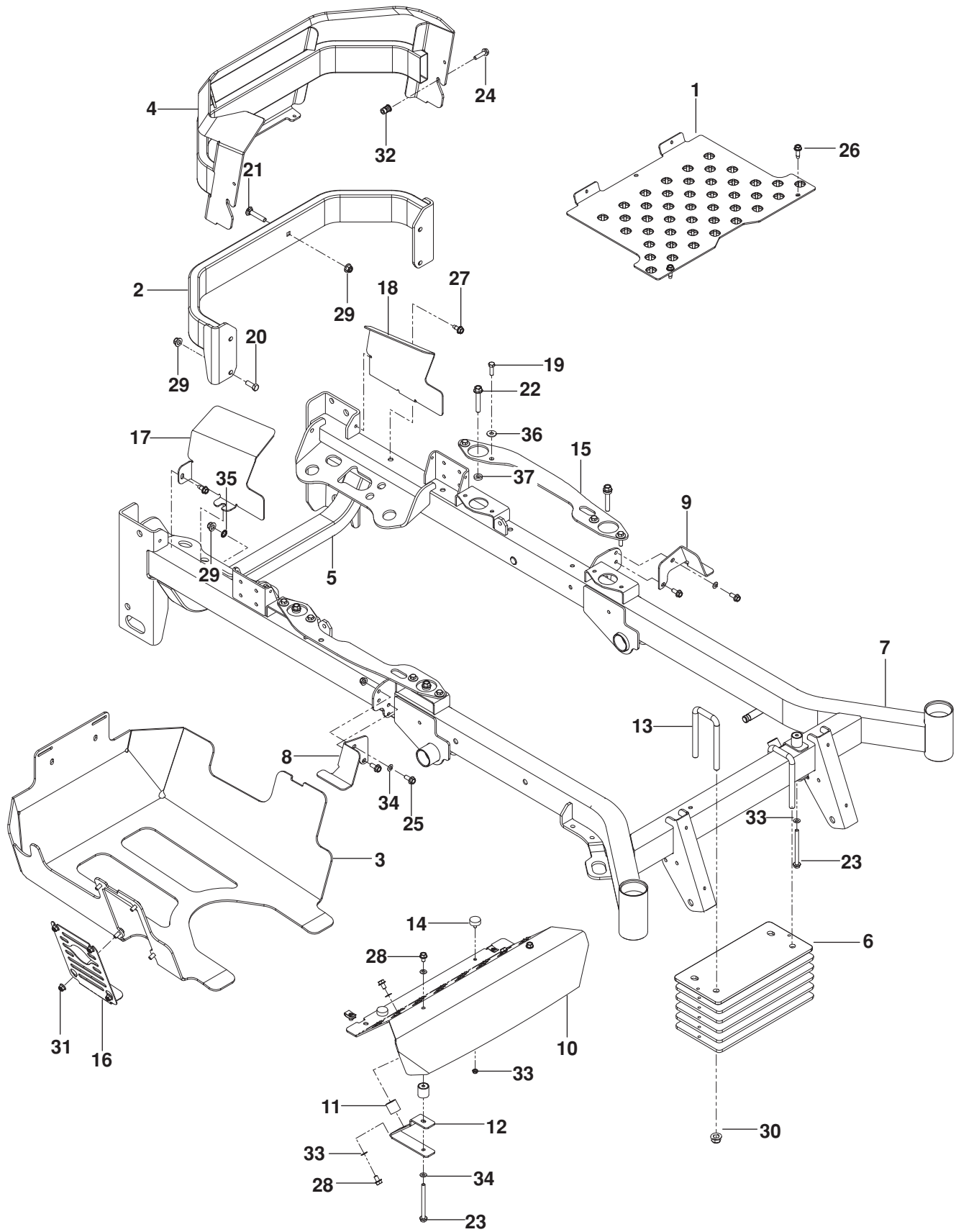
Pièces détachées

Reserve onderdelen

Repuestos

Reservdelar

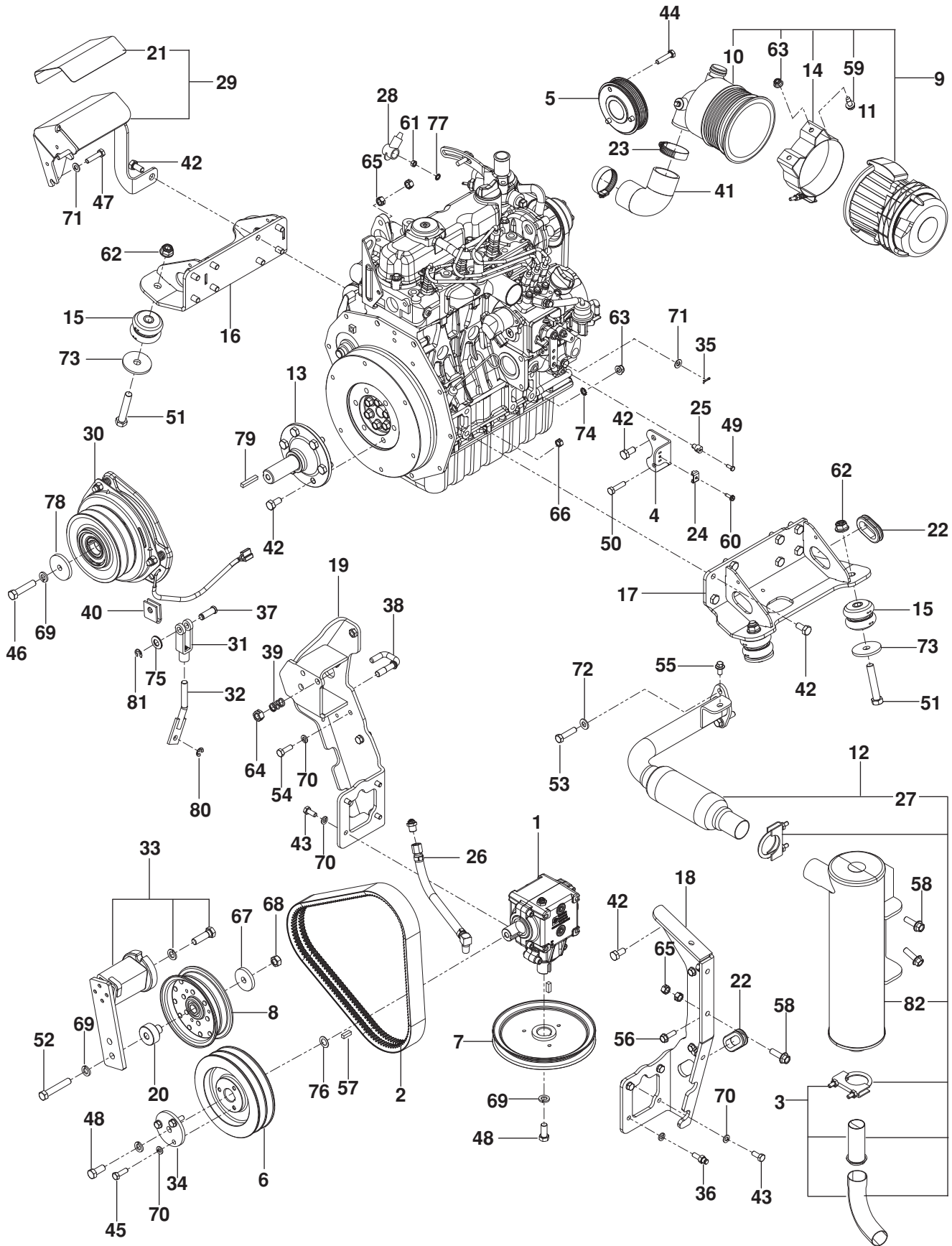
FRAME



FRAME

| ITEM | PART NO. | QTY. | DESCRIPTION | ITEM | PART NO. | QTY. | DESCRIPTION |
|------|-----------------|--------|----------------------------|------|-----------------|--------|---|
| 1.. | 574 215602..... | 1..... | FLOORPAN ORG | 20.. | 539 990563..... | 4..... | HCS $\frac{3}{8}$ -16 x 1 |
| 2.. | 522 738902..... | 1..... | BUMPER, REAR ORG | 21.. | 539 100145..... | 2..... | RHSNB $\frac{3}{8}$ -16 x 2 |
| 3.. | 577 100803..... | 1..... | PLATE, SKID GRY | 22.. | 574 496901..... | 4..... | HHFS $\frac{3}{8}$ -16 x 2 $\frac{1}{2}$ |
| 4.. | 574 433003..... | 1..... | GUARD, REAR GRY w/ DECAL | 23.. | 539 131780..... | 2..... | HHFS $\frac{5}{16}$ -18 x 3 $\frac{3}{4}$ HEX FLG |
| 5.. | 574 432602..... | 1..... | CROSS MEMBER, GRY | 24.. | 525 544001..... | 2..... | HHFS $\frac{5}{16}$ -18 x 1 $\frac{1}{4}$ TPBLT |
| 6.. | 575 880502..... | 6..... | PLATE, WEIGH BLK | 25.. | 525 464701..... | 5..... | HHFS $\frac{5}{16}$ -18 x $\frac{3}{4}$ |
| 7.. | 522 739302..... | 1..... | FRAME ORG | 26.. | 539 113226..... | 6..... | BOLT $\frac{5}{16}$ -18 x 1 THD FRM |
| 8.. | 529 279903..... | 1..... | MOUNT, TANK RT BLK | 27.. | 539 107475..... | 2..... | BOLT $\frac{5}{16}$ -18 x $\frac{3}{4}$ THD FRM |
| 9.. | 529 280003..... | 1..... | MOUNT, TANK LT BLK | 28.. | 539 990858..... | 6..... | SCREW $\frac{5}{16}$ -18 x $\frac{1}{2}$ SLF TAP |
| 10.. | 574 215702..... | 1..... | FOOT REST ORG | 29.. | 521 996501..... | 7..... | NUT $\frac{3}{8}$ -16 HEX FLG NYLOC |
| 11.. | 510 083201..... | 4..... | MOUNT, F/F INSERT | 30.. | 521 991101..... | 4..... | NUT $\frac{1}{2}$ -13 HEX FLG NYLOC |
| 12.. | 510 040301..... | 2..... | BRACKET, REST MOUNT | 31.. | 539 112899..... | 4..... | NUT $\frac{5}{16}$ -18 HEX FLANGE NYLOC |
| 13.. | 575 880601..... | 2..... | LINKAGE, U-BOLT | 32.. | 539 111028..... | 2..... | NUTSERT $\frac{5}{16}$ -18 |
| 14.. | 575 811501..... | 2..... | BUMPER | 33.. | 539 108120..... | 2..... | NUT $\frac{1}{4}$ -20 HEX THIN NYLOC |
| 15.. | 579 418502..... | 2..... | STRAP, FRAME | 34.. | 539 109600..... | 8..... | WASHER $\frac{5}{16}$ DISC SPRING |
| 16.. | 577 100902..... | 1..... | PANEL, ACCESS GRY | 35.. | 539 109603..... | 1..... | WASHER $\frac{3}{8}$ EXT STAR |
| 17.. | 577 101102..... | 1..... | GUARD, RT GRY | 36.. | 539 990692..... | 8..... | WASHER $\frac{5}{16}$ FLAT |
| 18.. | 577 101002..... | 1..... | GUARD, LT GRY | 37.. | 539 109562..... | 4..... | WASHER $\frac{3}{8}$ THICK |
| 19.. | 539 990209..... | 8..... | HCS $\frac{5}{16}$ -18 x 1 | | | | |

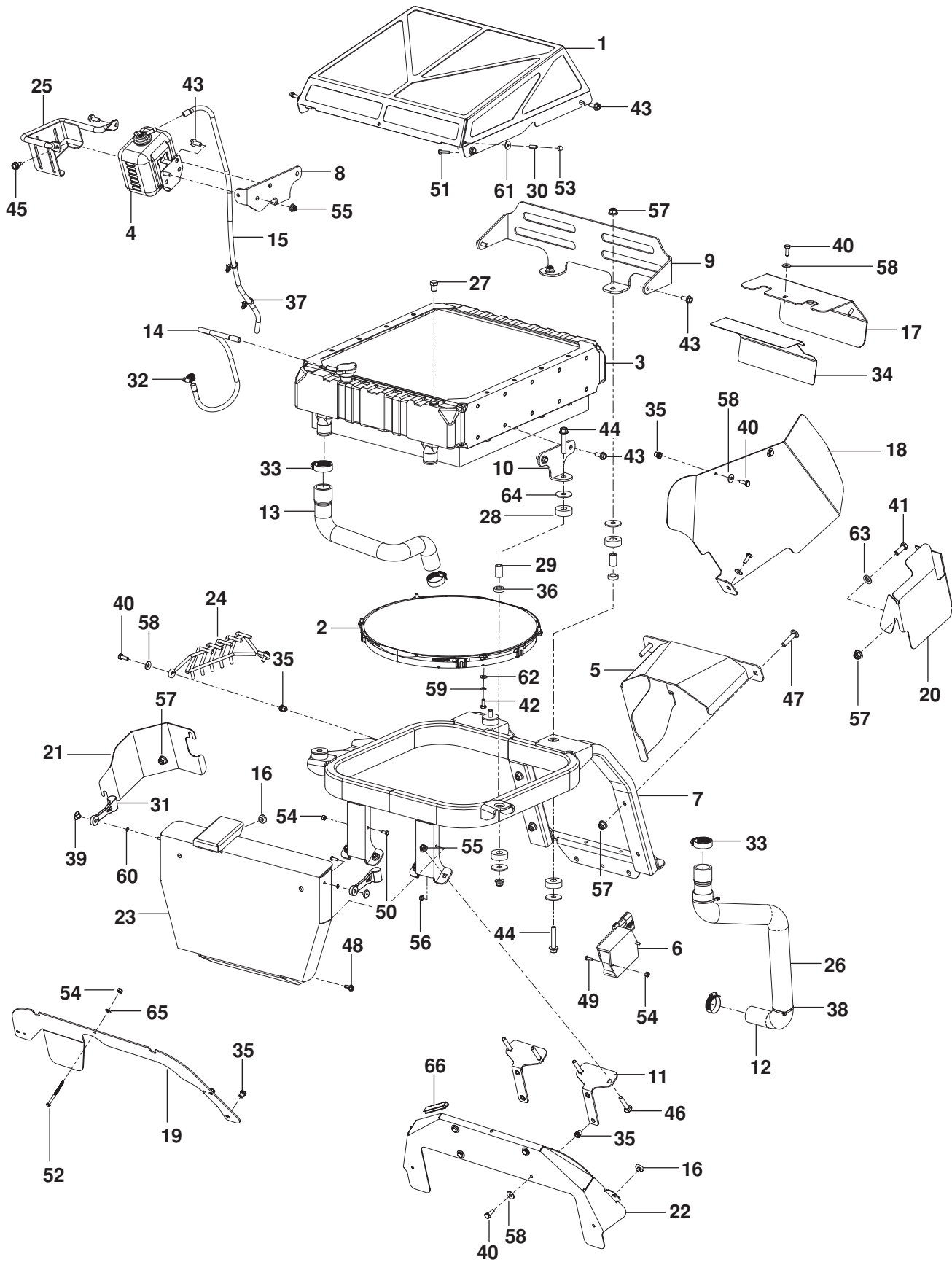
ENGINE



ENGINE

| ITEM | PART NO. | QTY. | DESCRIPTION | ITEM | PART NO. | QTY. | DESCRIPTION |
|------|-----------------|---------|--------------------------|-----------------|-----------------|----------------|----------------------------|
| 1.. | 575 509401..... | 1..... | GEAR BOX, 90° | 44.. | 521 998801..... | 3..... | HCS M8-1.25 x 35 GR8.8 |
| 2.. | 574 804101..... | 1..... | BELT, CLUTCH | 45.. | 539 990209..... | 3..... | HCS 5/16-18 x 1 |
| 3.. | 575 244505..... | 1..... | KIT, SPARK ARRESTOR | 46.. | 539 111990..... | 1..... | HCS 7/16-20 x 2 GR 8 |
| 4.. | 522 545201..... | 1..... | BRACKET, THROTTLE | 47.. | 539 977692..... | 2..... | HCS M8-1.25 GR8.8 TAP |
| 5.. | 515 989601..... | 1..... | PULLEY, ENGINE | 48.. | 539 124775..... | 2..... | HCS 7/16-20 x 1 HEX HD |
| 6.. | 574 753301..... | 1..... | PULLEY, GEAR BOX | 49.. | 539 990411..... | 1..... | HCS #10-24 x 1/2 SLT HD |
| 7.. | 515 997601..... | 1..... | PULLEY, DRIVE | 50.. | 539 990627..... | 1..... | HCS 5/16-18 x 1 1/4 HEX HD |
| 8.. | 539 103257..... | 1..... | PULLEY, IDLER | 51.. | 539 101332..... | 4..... | HCS 1/2-13 x 2 3/4 HEX HD |
| 9.. | 539 106376..... | 1..... | AIR FILTER ASSY | 52.. | 539 110065..... | 1..... | HCS 7/16-20 x 2 3/4 HEX HD |
| 10.. | 539 108470..... | 1..... | AIR FILTER ASSY, UPPER | 53.. | 539 990655..... | 2..... | HCS 3/8-16 x 1 1/2 HEX HD |
| 11.. | 539 108473..... | 1..... | AIR FILTER ASSY, LOWER | 54.. | 539 115578..... | 2..... | HHB M8-1.25 x 25 GR 8.8 |
| 12.. | 575 244501..... | 1..... | MUFFLER ASSY | 55.. | 539 122388..... | 1..... | HHB M8-1.25 x 16 GR 8.8 |
| 13.. | 574 890701..... | 1..... | SHAFT, PILOT | 56.. | 539 115648..... | 3..... | SCREW 5/16-18 x 1 HWH TAP |
| 14.. | 539 108474..... | 1..... | BRACKET, MOUNTING | 57.. | 539 102067..... | 2..... | HHB KEY 1/4" SQ x 3/4" |
| 15.. | 515 990102..... | 4..... | ISOLATOR, ENGINE | 58.. | 525 834201..... | 3..... | HHFS 3/8-16 x 1 1/4 |
| 16.. | 515 989002..... | 1..... | MOUNT, MOTOR LT BLK | 59.. | 539 107475..... | 2..... | BOLT 5/16-18 x 3/4 THD FRM |
| 17.. | 515 988802..... | 1..... | MOUNT, MOTOR RT BLK | 60.. | 539 991034..... | 1..... | SCREW 10-24 x 5/8 WSHR HD |
| 18.. | 574 888203..... | 1..... | MOUNT, GEAR BOX, BLK | 61.. | 539 117980..... | 1..... | NUT M6-1.0 HEX |
| 19.. | 574 751402..... | 1..... | MOUNT, GEAR BOX, BLK | 62.. | 521 991101..... | 4..... | NUT 1/2-13 HEX FLG NYLOC |
| 20.. | 574 394201..... | 1..... | MOUNT, IDLER | 63.. | 539 112899..... | 3..... | NUT 5/16-18 HEX FLG NYLOC |
| 21.. | 574 480601..... | 1..... | SHIELD, HEAT BARRIER | 64.. | 539 990839..... | 1..... | NUT 7/16-14 HEX CTRLK GR A |
| 22.. | 539 103684..... | 2..... | GROMMET | 65.. | 539 990546..... | 10..... | NUT 3/8-16 HEX CNTRLK |
| 23.. | 539 106384..... | 2..... | CLAMP | 66.. | 539 990184..... | 3..... | NUT 5/16-18 HEX CTRLK |
| 24.. | 522 752701..... | 1..... | CLAMP, CABLE | 67.. | 573 975201..... | 1..... | NUT 7/16-20 HEX NYLOC |
| 25.. | 522 545301..... | 1..... | SWIVEL, THROTTLE | 68.. | 539 106504..... | 1..... | WASHER, HEAVY |
| 26.. | 575 804901..... | 1..... | HOSE, VENT | 69.. | 539 990247..... | 4..... | WASHER 7/16 SLW |
| 27.. | 575 244503..... | 1..... | PIPE, MANIFOLD | 70.. | 539 990187..... | 13..... | WASHER 5/16 SLW |
| 28.. | 539 116400..... | 1..... | TERMINAL COVER-SM | 71.. | 539 990188..... | 3..... | WASHER 5/16 SAE FLAT |
| 29.. | 575 420403..... | 1..... | SHIELD ASSY | 72.. | 539 990122..... | 2..... | WASHER 3/8 SAE FLT |
| 30.. | 574 804001..... | 1..... | CLUTCH, OGURA | 73.. | 539 111844..... | 4..... | WASHER, HEAVY |
| 31.. | 574 803901..... | 1..... | YOKE, CLEVIS | 74.. | 539 109556..... | 1..... | WASHER 5/16 EXT STAR LK |
| 32.. | 574 803801..... | 1..... | LINKAGE, ANTI-ROTATION | 75.. | 539 110656..... | 1..... | WASHER 1/2 x 1 |
| 33.. | 574 804301..... | 1..... | TENSIONER ASSY | 76.. | 539 115610..... | 1..... | WASHER, SPECIAL |
| 34.. | 574 890401..... | 1..... | PLATE, PULLEY | 77.. | 539 990053..... | 1..... | WASHER 1/4 INT TOOTH LK |
| 35.. | 539 990555..... | 1..... | PIN, COTTER | 78.. | 539 125626..... | 1..... | WASHER, BLADE |
| 36.. | 574 804501..... | 1..... | PIN, PIVOT | 79.. | 539 109161..... | 1..... | KEY 1/4 SQ x 1 1/2 |
| 37.. | 510 090101..... | 1..... | PIN 7/16 CLEVIS | 80.. | 539 990870..... | 1..... | E- RING 3/8" |
| 38.. | 574 890601..... | 1..... | PIN, DETENT | 81.. | 522 705201..... | 1..... | E RING 7/16 |
| 39.. | 574 890501..... | 1..... | SPRING, COMPRESSION | 82.. | 575 244502..... | 1..... | MUFFLER |
| 40.. | 575 699401..... | 1..... | SPACER, RUBBER | NOT SHOWN | | | |
| 41.. | 515 990401..... | 1..... | HOSE, AIR INTAKE | 574 439302..... | 1..... | HARNES, ENGINE | |
| 42.. | 522 453101..... | 24..... | HCS M10-1.25 x 20 GR 8.8 | 539 127037..... | 1..... | CABLE, GROUND | |
| 43.. | 539 990206..... | 7..... | HCS 5/16-18 x 3/4 | 539 976856..... | 2..... | WIRE TIE | |

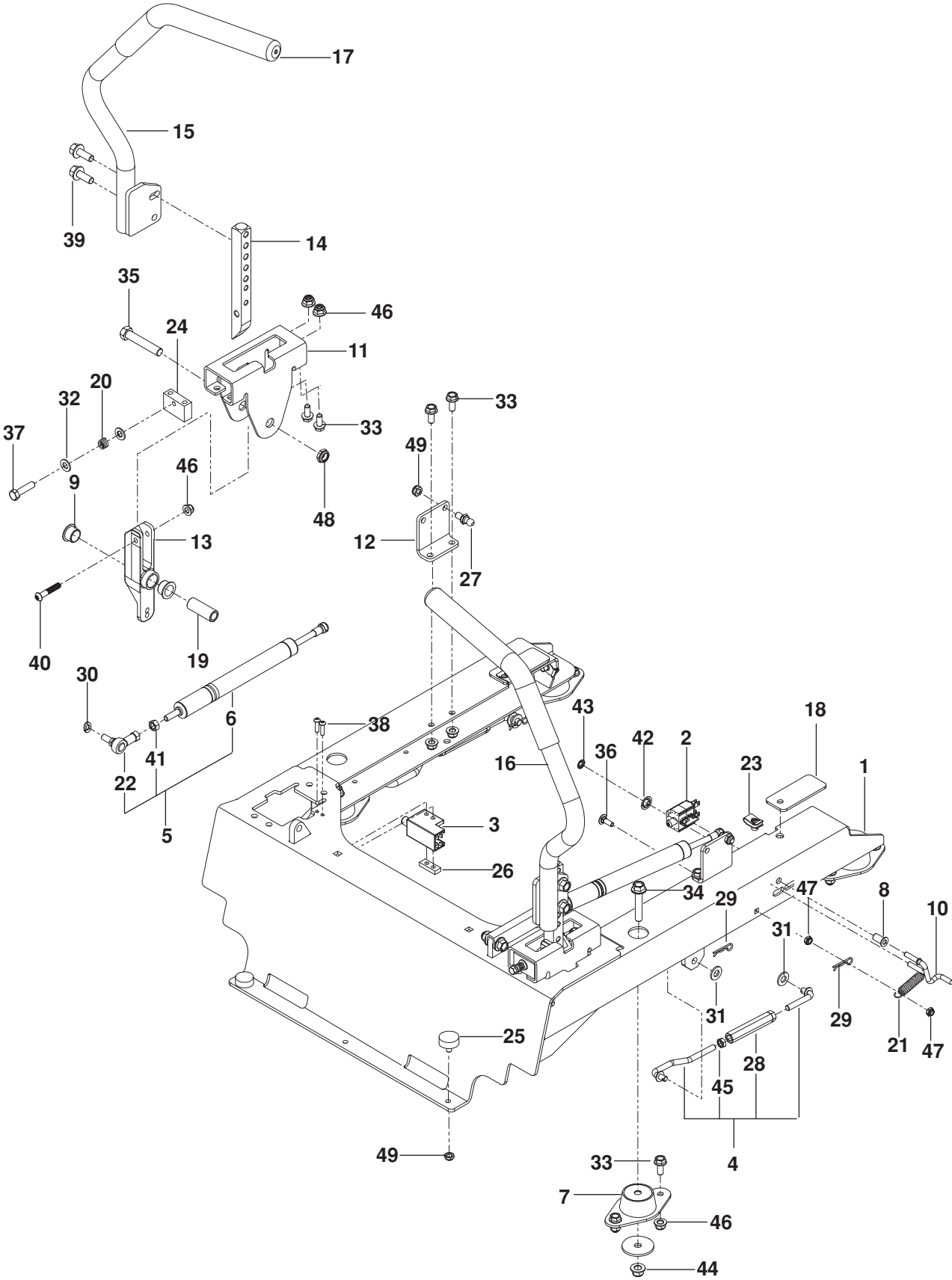
COOLING SYSTEM



COOLING SYSTEM

| ITEM | PART NO. | QTY. | DESCRIPTION | ITEM | PART NO. | QTY. | DESCRIPTION |
|------|-----------------|--------|----------------------------|------|-----------------|---------|------------------------------|
| 1.. | 574 356108..... | 1..... | SCREEN, DEBRIS, BLK | 34.. | 577 100701..... | 1..... | BARRIER, HEAT |
| 2.. | 516 018601..... | 1..... | FAN, ELECTRIC | 35.. | 539 108147..... | 12..... | INSERT 1/4-20 KNURLED |
| 3.. | 574 351601..... | 1..... | RADIATOR | 36.. | 539 116377..... | 4..... | INSERT, ISO-MOUNT |
| 4.. | 522 503501..... | 1..... | BOTTLE, OVERFLOW | 37.. | 505 280001..... | 2..... | TIE WRAP w/ CLIP |
| 5.. | 574 722305..... | 1..... | SHIELD, BELT, GRY w/ DECAL | 38.. | 539 976856..... | 2..... | WIRE TIE |
| 6.. | 574 431401..... | 1..... | MODULE, FAN REVERSE | 39.. | 539 108089..... | 2..... | WELDNUT, PLATED |
| 7.. | 574 432702..... | 1..... | MOUNT, RADIATOR, GRY | 40.. | 539 990580..... | 12..... | HCS 1/4-20 x 3/4 |
| 8.. | 574 841002..... | 1..... | MOUNT, RADIATOR, RT | 41.. | 539 990563..... | 1..... | HCS 3/8-16 x 1 |
| 9.. | 574 433802..... | 1..... | MOUNT, RADIATOR RR BLK | 42.. | 539 990072..... | 4..... | HCS 1/4-20 x 5/8 |
| 10.. | 574 433702..... | 1..... | MOUNT, RADIATOR, FT BLK | 43.. | 525 464701..... | 1..... | HHFS 5/16-18 x 3/4 |
| 11.. | 577 251402..... | 2..... | MOUNT, GUARD GRY | 44.. | 525 866201..... | 4..... | HHFS 3/8-16 x 2 |
| 12.. | 574 431101..... | 1..... | HOSE, RADIATOR, LT | 45.. | 539 107475..... | 1..... | BOLT 5/16-18 x 3/4 THD FRM |
| 13.. | 574 431001..... | 1..... | HOSE, RADIATOR, RT | 46.. | 539 990861..... | 4..... | RHSNB 5/16-18 x 1 3/4 |
| 14.. | 574 845401..... | 1..... | HOSE, OVERFLOW UPPER | 47.. | 539 990923..... | 4..... | RHSNB 3/8-16 x 1 3/4 |
| 15.. | 574 845402..... | 1..... | HOSE, OVERFLOW LOWER | 48.. | 539 107631..... | 2..... | SCREW 1/4 -20 x 5/8 THDROLL |
| 16.. | 539 102587..... | 4..... | BUMPER | 49.. | 539 976952..... | 4..... | SCREW 10-24 x .625 MACH |
| 17.. | 577 100302..... | 1..... | GUARD, MUFFLER GRY | 50.. | 539 990411..... | 1..... | SCREW 10-24 x 1/2 SLT HEX HD |
| 18.. | 577 100402..... | 1..... | GUARD, LT GRY | 51.. | 539 108083..... | 2..... | SCREW 10- 24 x 1 1/8 |
| 19.. | 577 100502..... | 1..... | GUARD, FRT GRY | 52.. | 577 503401..... | 3..... | SCREW 10-24 x 2 1/2 |
| 20.. | 577 100102..... | 1..... | GUARD, LT REAR GRY | 53.. | 539 108086..... | 2..... | NUT 10-24 ACORN |
| 21.. | 577 100002..... | 1..... | GUARD, RT REAR GRY | 54.. | 539 976977..... | 6..... | NUT 10-24 HEX NYLOC |
| 22.. | 577 250902..... | 1..... | GUARD, FRT GRY | 55.. | 539 112899..... | 5..... | NUT 5/16-18 HEX FLANGE NYLOC |
| 23.. | 575 315003..... | 1..... | GUARD, HOSE BLK w/ DECAL | 56.. | 539 108120..... | 2..... | NUT 1/4-20 HEX THIN NYLOC |
| 24.. | 577 100601..... | 1..... | GUARD, MUFFLER | 57.. | 521 996501..... | 7..... | NUT 3/8-16 HEX FLG NYLOC |
| 25.. | 575 256402..... | 1..... | GUARD, OVERFLOW BLK | 58.. | 539 990598..... | 12..... | WASHER 1/4 FLAT |
| 26.. | 575 867701..... | 1..... | SLEEVE, HOSE | 59.. | 539 990052..... | 4..... | WASHER 1/4 SPLT LK |
| 27.. | 574 596801..... | 1..... | FITTING 1/4 NPT PIPE | 60.. | 539 109552..... | 2..... | WASHER 3/16 LOCK |
| 28.. | 539 116378..... | 8..... | BUSHING, ISO-MOUNT | 61.. | 539 108084..... | 2..... | WASHER 3/16 x 3/4 x 16 GA |
| 29.. | 539 121367..... | 4..... | BUSHING, ISO-MOUNT | 62.. | 539 990055..... | 4..... | WASHER 1/4 FLAT SAE |
| 30.. | 539 108085..... | 2..... | SPACER, SPLIT | 63.. | 539 990122..... | 1..... | WASHER 3/8 SAE FLT |
| 31.. | 539 108088..... | 2..... | LATCH, HOOD | 64.. | 539 115516..... | 8..... | WASHER 7/16 FLAT |
| 32.. | 576 286001..... | 1..... | CLAMP | 65.. | 539 105408..... | 3..... | WASHER #10 FLAT |
| 33.. | 539 106321..... | 4..... | CLAMP, HOSE | 66.. | 539 112294..... | 1..... | FLEX TRIM |

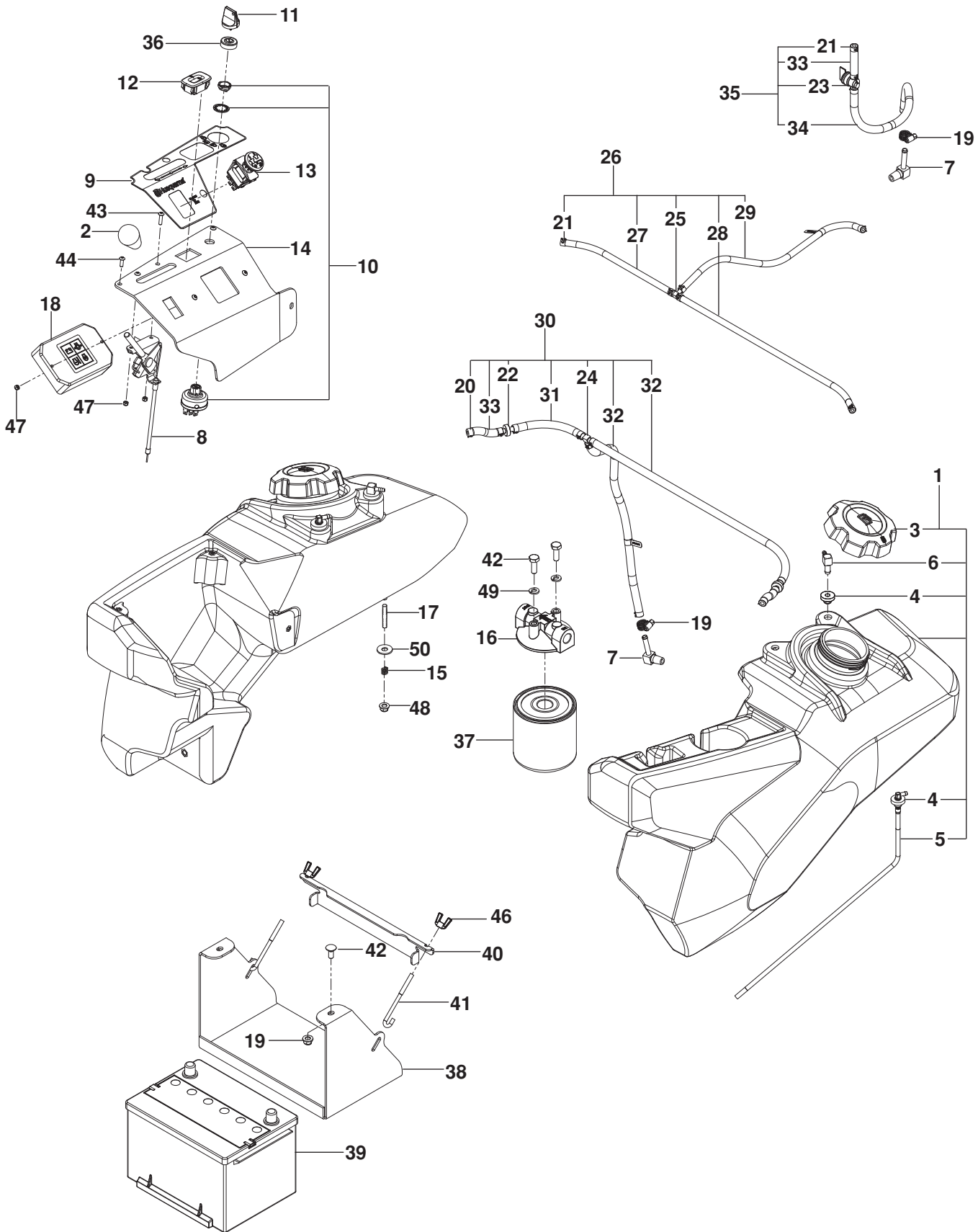
STEERING



STEERING

| ITEM | PART NO. | QTY. | DESCRIPTION | ITEM | PART NO. | QTY. | DESCRIPTION |
|------|-----------------|--------|------------------------|------|-----------------|---------|--------------------------------|
| 1.. | 577 327702..... | 1..... | FRAME MOUNT ORG | 26.. | 539 102678..... | 1..... | PLATE, TAPPED |
| 2.. | 539 113792..... | 1..... | SWITCH, BRAKE (3-POLE) | 27.. | 539 110607..... | 2..... | BALL STUD 10MM |
| 3.. | 532 109553..... | 2..... | SWITCH N.C. | 28.. | 539 109149..... | 2..... | TURNBUCKLE 3/8 |
| 4.. | 525 447901..... | 1..... | SEAT STRUT ASSY | 29.. | 539 976988..... | 4..... | HAIRPIN COTTER |
| 5.. | 522 842501..... | 1..... | DAMPENER ASSY | 30.. | 539 990187..... | 2..... | WASHER 5/16 SLW |
| 6.. | 522 612701..... | 1..... | DAMPENER | 31.. | 539 990122..... | 4..... | WASHER 3/8 SAE FLT |
| 7.. | 510 082101..... | 4..... | MOUNT, ISO | 32.. | 539 990188..... | 4..... | WASHER 5/16 SAE FLAT |
| 8.. | 511 594901..... | 1..... | BUSHING 1/4 FLANGE | 33.. | 525 464701..... | 20..... | HHFS 5/16-18 x 3/4 |
| 9.. | 539 131518..... | 4..... | BEARING, FLANGE | 34.. | 525 866201..... | 4..... | HHFS 3/8-16 x 2 |
| 10.. | 511 595001..... | 1..... | LINK, SWITCH | 35.. | 539 101721..... | 2..... | HCS 1/2-13 x 2 3/4 HEX NYL |
| 11.. | 577 251701..... | 2..... | BRACKET, CONTROL | 36.. | 539 990074..... | 1..... | RHSNB 1/4-20 x 3/4 GR2 |
| 12.. | 577 265801..... | 2..... | BRACKET, DAMPENER | 37.. | 539 990627..... | 1..... | BOLT 5/16-18 x 1 1/4 HEX TPBLT |
| 13.. | 576 140302..... | 2..... | LEVER, CONTROL | 38.. | 574 822701..... | 4..... | SCREW 10-24 x 3/4 SKT HD |
| 14.. | 574 269401..... | 2..... | LEVER, MOTION | 39.. | 525 612801..... | 4..... | SCREW 3/8-16 x 1 HEX FLG |
| 15.. | 577 042403..... | 1..... | LEVER w/ GRIP RT | 40.. | 576 850402..... | 2..... | SCREW 5/16-18 x 1 3/4 BTN HD |
| 16.. | 577 042303..... | 1..... | LEVER w/ GRIP LT | 41.. | 539 127046..... | 2..... | HEXNUT M8 x 1.25 STD |
| 17.. | 539 130894..... | 2..... | GRIP, LEVER | 42.. | 539 913847..... | 2..... | NUT 3/8 RETAINER |
| 18.. | 576 688902..... | 2..... | SPACER, BLK | 43.. | 539 102234..... | 1..... | PUSH NUT 1/4 |
| 19.. | 577 252401..... | 2..... | SPACER, PIVOT | 44.. | 521 996501..... | 4..... | NUT 3/8-16 HEX FLG NYLOC |
| 20.. | 539 102845..... | 2..... | SPRING | 45.. | 539 108732..... | 2..... | NUT 3/8-24 HEX JAM |
| 21.. | 539 020035..... | 1..... | SPRING | 46.. | 539 112899..... | 10..... | NUT 5/16-18 HEX FLANGE NYLOC |
| 22.. | 539 131749..... | 1..... | ROD END, SPHERICAL | 47.. | 539 108120..... | 4..... | NUT 1/4-20 HEX THIN NYLOC |
| 23.. | 539 104763..... | 4..... | RETAINER, U TYPE | 48.. | 539 108010..... | 2..... | NUT 1/2-13 HEX JAM NYLOC GR2 |
| 24.. | 577 251801..... | 2..... | BLOCK, TRACKING | 49.. | 539 990717..... | 2..... | NUT 5/16-18 HEX NYLOC |
| 25.. | 575 811501..... | 2..... | BUMPER | | | | |

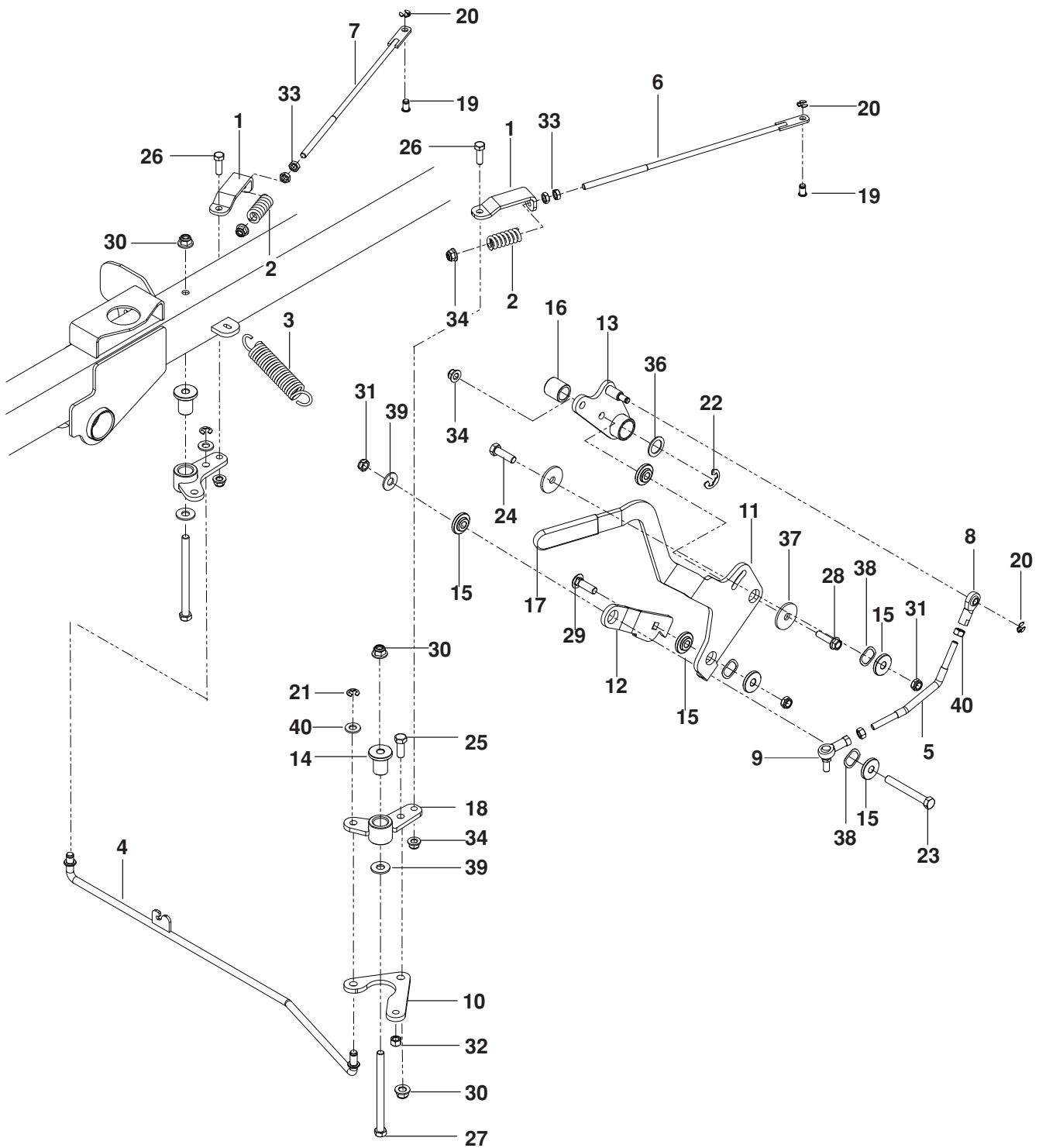
IGNITION SYSTEM



IGNITION SYSTEM

| ITEM | PART NO. | QTY. | DESCRIPTION | ITEM | PART NO. | QTY. | DESCRIPTION |
|------|-----------------|---------|------------------------|-----------------|-----------------|-----------------|------------------------------|
| 1.. | 574 433202..... | 1..... | TANK ASSY, LT | 28.. | 574 521302..... | 1..... | FUEL LINE 17¼" |
| | 574 433302..... | 1..... | TANK ASSY, RT | 29.. | 574 521303..... | 1..... | FUEL LINE 18½" |
| 2.. | 539 132624..... | 1..... | KNOB | 30.. | 574 431901..... | 1..... | FUEL LINE ASSY |
| 3.. | 574 460001..... | 1..... | CAP, DIESEL FUEL | 31.. | 539 110425..... | 1..... | FUEL LINE 5" |
| 4.. | 539 105245..... | 4..... | GROMMET, RUBBER | 32.. | 574 517301..... | 2..... | FUEL LINE 21" |
| 5.. | 525 865401..... | 2..... | FITTING, FUEL | 33.. | 505 215101..... | 2..... | FUEL LINE 2½" |
| 6.. | 522 732701..... | 2..... | FITTING, RETURN | 34.. | 539 104993..... | 1..... | FUEL LINE 14" |
| 7.. | 522 732801..... | 2..... | FITTING, 90° | 35.. | 522 830701..... | 1..... | FUEL LINE ASSY |
| 8.. | 574 507901..... | 1..... | CABLE, THROTTLE | 36.. | 539 103178..... | 1..... | NUTCAP, IGNITION |
| 9.. | 574 433501..... | 1..... | DECAL, CONTROL | 37.. | 522 485401..... | 1..... | FILTER, FUEL |
| 10.. | 574 455401..... | 1..... | SWITCH, IGNITION | 38.. | 516 022702..... | 1..... | BOX, BATTERY BLK |
| 11.. | 574 455501..... | 1..... | KEY, IGNITION | 39.. | 522 924301..... | 1..... | BATTERY, 500 CCA |
| 12.. | 539 110074..... | 1..... | HOUR METER | 40.. | 521 895001..... | 1..... | BRACKET, BATTERY MOUNT |
| 13.. | 539 131627..... | 1..... | SWITCH, PTO 10 AMP | 41.. | 510 064001..... | 2..... | J HOOK |
| 14.. | 574 433402..... | 1..... | PANEL, CONTROL GRY | 42.. | 539 990580..... | 2..... | HCS ¼-20 x ¾ |
| 15.. | 539 102845..... | 4..... | SPRING, TANK MOUNT | 43.. | 574 822701..... | 4..... | SCREW 10-24 x ¾ SKT HD |
| 16.. | 522 485501..... | 1..... | HEAD, FUEL FILTER | 44.. | 539 114341..... | 3..... | SCREW 10-24 x ¾ SKT HD |
| 17.. | 539 102502..... | 4..... | STUD, FUEL TANK | 45.. | 539 990316..... | 2..... | RHSNB 5/16-18 x ¾ |
| 18.. | 574 433601..... | 1..... | MODULE, CONTROL | 46.. | 539 990997..... | 2..... | WINGNUT ¼-20 NYLOC |
| 19.. | 576 286001..... | 1..... | CLAMP | 47.. | 539 976977..... | 4..... | NUT 10-24 HEX NYLOC |
| 20.. | 575 436501..... | 6..... | CLAMP | 48.. | 539 112899..... | 6..... | NUT 5/16-18 HEX FLANGE NYLOC |
| 21.. | 539 912222..... | 14..... | CLAMP, HOSE | 49.. | 539 990052..... | 2..... | WASHER ¼ SPLT LK |
| 22.. | 574 206701..... | 2..... | VALVE, CHECK | 50.. | 539 990188..... | 4..... | WASHER 5/16 SAE FLAT |
| 23.. | 539 916325..... | 1..... | VALVE, FUEL | NOT SHOWN | | | |
| 24.. | 574 206601..... | 1..... | TEE, FUEL LINE | 522 830301..... | 1..... | CABLE, POSITIVE | |
| 25.. | 574 206602..... | 1..... | TEE, FUEL LINE | 522 830401..... | 1..... | CABLE, NEGATIVE | |
| 26.. | 574 432001..... | 1..... | FUEL LINE ASSY, RETURN | 574 439301..... | 1..... | HARNESS, MAIN | |
| 27.. | 574 521301..... | 1..... | FUEL LINE 9½" | | | | |

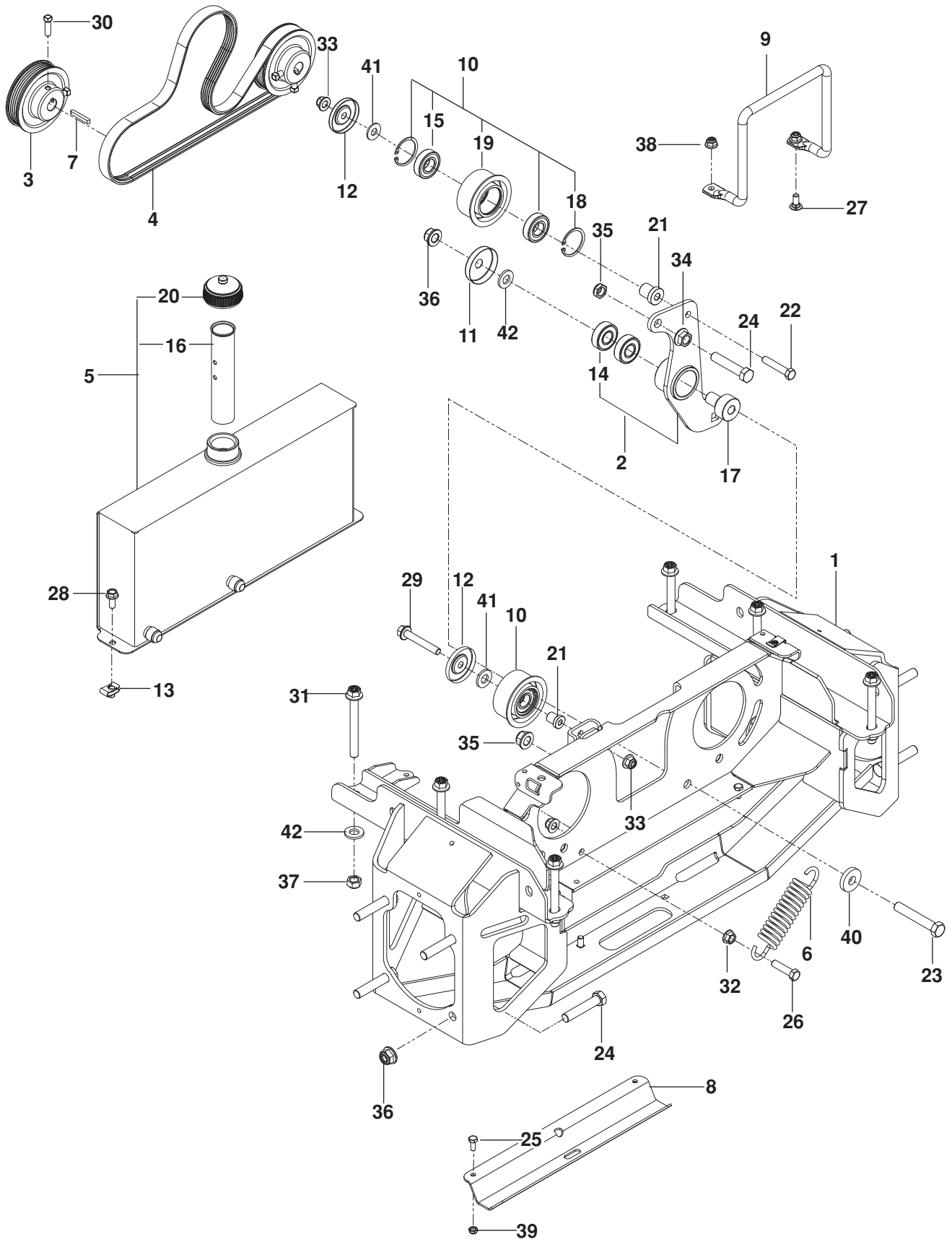
PARKING BRAKE



PARKING BRAKE

| ITEM | PART NO. | QTY. | DESCRIPTION | ITEM | PART NO. | QTY. | DESCRIPTION |
|------|-----------------|--------|-----------------------------------|------|-----------------|--------|---|
| 1.. | 516 036301..... | 2..... | BRACKET, BRAKE | 21.. | 539 990870..... | 2..... | E- RING $\frac{3}{8}$ " |
| 2.. | 539 113952..... | 2..... | SPRING | 22.. | 539 102454..... | 1..... | E-RING $\frac{3}{4}$ " |
| 3.. | 539 106850..... | 1..... | SPRING | 23.. | 539 101341..... | 1..... | HCS $\frac{3}{8}$ -16 x 3 |
| 4.. | 516 036201..... | 1..... | LINKAGE, BRAKE, PRIMARY | 24.. | 539 976941..... | 1..... | HCS $\frac{3}{8}$ -16 x 1 $\frac{1}{4}$ |
| 5.. | 574 527501..... | 1..... | LINKAGE, BRAKE | 25.. | 539 990563..... | 1..... | HCS $\frac{3}{8}$ -16 x 1 |
| 6.. | 516 036101..... | 1..... | LINKAGE, BRAKE LT-RR | 26.. | 539 990209..... | 2..... | HCS $\frac{5}{16}$ -18 x 1 |
| 7.. | 516 036102..... | 1..... | LINKAGE, BRAKE, RT-RR | 27.. | 539 101517..... | 2..... | HCS $\frac{3}{8}$ -16 x 5 |
| 8.. | 539 102590..... | 1..... | BALL END, RH | 28.. | 525 544001..... | 1..... | HHFS $\frac{5}{16}$ -18 x 1 $\frac{1}{4}$ TPBLT |
| 9.. | 539 110603..... | 1..... | ROD END, SPHERICAL RH | 29.. | 539 100413..... | 1..... | RHSNB $\frac{3}{8}$ -16 x 1 $\frac{1}{4}$ |
| 10.. | 574 522502..... | 1..... | PLATE, BRAKE, BLK | 30.. | 521 996501..... | 3..... | NUT $\frac{3}{8}$ -16 HEX FLG NYLOC |
| 11.. | 515 980002..... | 1..... | LEVER, BRAKE BLK | 31.. | 539 200282..... | 3..... | NUT $\frac{3}{8}$ -16 HEX JAM NYLOC |
| 12.. | 515 980301..... | 1..... | LINK, FOLLOWER | 32.. | 539 110943..... | 1..... | NUT $\frac{5}{16}$ -24 NYLOC |
| 13.. | 521 885601..... | 1..... | ARM, BRAKE | 33.. | 539 107897..... | 4..... | NUT $\frac{5}{16}$ -18 HEX JAM |
| 14.. | 516 036401..... | 2..... | BUSHING, PIVOT | 34.. | 539 112899..... | 5..... | NUT $\frac{5}{16}$ -18 HEX FLANGE NYLOC |
| 15.. | 539 132161..... | 6..... | BUSHING, BRAKE | 35.. | 539 990223..... | 2..... | NUT $\frac{5}{16}$ -24 HEX |
| 16.. | 510 089201..... | 1..... | BUSHING $\frac{3}{4}$ x 1 SLEEVE | 36.. | 539 910935..... | 1..... | WASHER |
| 17.. | 539 976526..... | 1..... | GRIP, LEVER | 37.. | 525 490901..... | 2..... | WASHER $\frac{1}{8}$ FRICTION |
| 18.. | 516 036604..... | 2..... | BELLCRANK, BRAKE | 38.. | 539 133007..... | 3..... | WASHER, WAVE |
| 19.. | 522 421201..... | 2..... | PIN, BRAKE ARM | 39.. | 539 990517..... | 3..... | WASHER $\frac{3}{8}$ FLT STD |
| 20.. | 539 109303..... | 3..... | RING $\frac{5}{16}$ RETAINING EXT | 40.. | 539 990122..... | 2..... | WASHER $\frac{3}{8}$ SAE FLT |

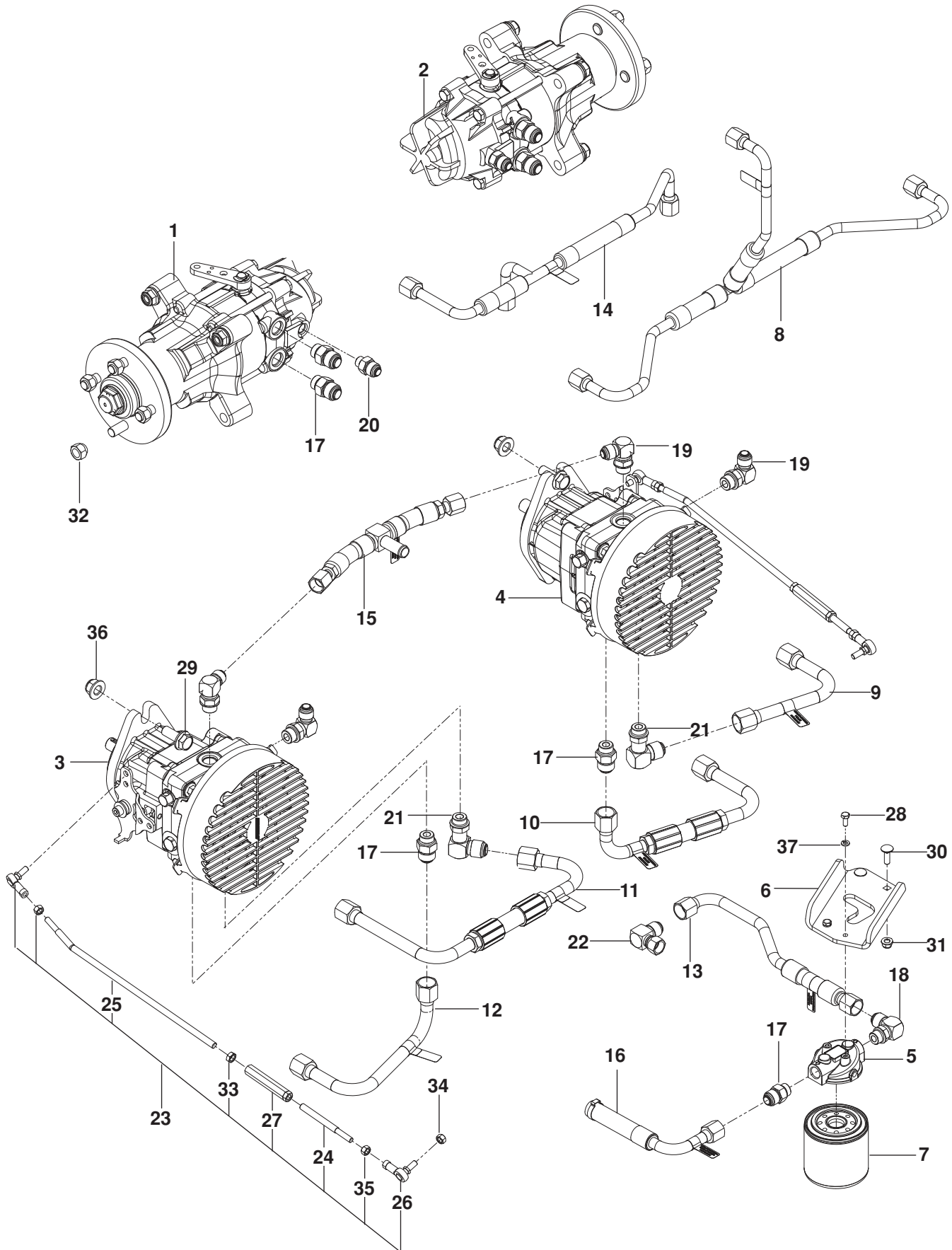
HYDRAULIC FRAME



HYDRAULIC FRAME

| ITEM | PART NO. | QTY. | DESCRIPTION | ITEM | PART NO. | QTY. | DESCRIPTION |
|------|-----------------|--------|------------------------|------|-----------------|--------|-----------------------------|
| 1.. | 574 888702..... | 1..... | PUMP BAY, BLK | 23.. | 539 101572..... | 1..... | HCS 1/2-13 x 3 |
| 2.. | 574 890201..... | 1..... | IDLER ASSY w/ BEARINGS | 24.. | 539 108346..... | 9..... | HCS 1/2-13 x 2 1/2 |
| 3.. | 539 106334..... | 2..... | SHEAVE, PUMP | 25.. | 539 990072..... | 2..... | HCS 1/4-20 x 5/8 |
| 4.. | 574 890001..... | 1..... | BELT, PUMP | 26.. | 539 107042..... | 1..... | HCS 3/8-16 x 1 1/2 GR 8 |
| 5.. | 515 999302..... | 1..... | RESERVOIR ASSY | 27.. | 539 990316..... | 2..... | RHSNB 5/16-18 x 3/4 |
| 6.. | 539 110655..... | 1..... | SPRING | 28.. | 525 464701..... | 2..... | HHFS 5/16-18 x 3/4 |
| 7.. | 539 109178..... | 2..... | KEY, 5MM SQ x 36MM | 29.. | 539 131781..... | 1..... | HHFS 3/8-16 x 2 3/4 |
| 8.. | 522 957201..... | 1..... | GUARD, HOSE | 30.. | 539 102716..... | 4..... | SCREW 5/16-18 x 1 SET SQ HD |
| 9.. | 574 507601..... | 1..... | GUIDE, BELT | 31.. | 521 983801..... | 6..... | BOLT 7/16-14 x 4 GR8 BLK |
| 10.. | 576 937901..... | 2..... | PULLEY ASSY, IDLER | 32.. | 539 990613..... | 1..... | NUT 3/8-16 HEX WHIZLK |
| 11.. | 539 114662..... | 1..... | SHIELD, DUST 1/2 ID | 33.. | 521 996501..... | 3..... | NUT 3/8-16 HEX FLG NYLOC |
| 12.. | 510 254501..... | 2..... | SHIELD, DUST | 34.. | 539 111187..... | 1..... | NUT 1/2-13 HEX WHIZLK |
| 13.. | 539 104763..... | 2..... | RETAINER, U TYPE | 35.. | 539 117378..... | 1..... | NUT 1/2-13 HEX THIN NYLOC |
| 14.. | 539 112050..... | 2..... | BEARING | 36.. | 521 991101..... | 9..... | NUT 1/2-13 HEX FLG NYLOC |
| 15.. | 539 130296..... | 2..... | BEARING | 37.. | 539 119124..... | 6..... | NUT 7/16-14 HEX NYLOC |
| 16.. | 522 805001..... | 1..... | TUBE, ANTI-SPLASH | 38.. | 539 112899..... | 2..... | NUT 5/16-18 HEX FLG NYLOC |
| 17.. | 510 206301..... | 1..... | PIVOT, BEARING | 39.. | 539 108120..... | 2..... | NUT 1/4-20 HEX THIN NYLOC |
| 18.. | 576 816901..... | 2..... | RING, RETAINING | 40.. | 539 115636..... | 1..... | WASHER 1/2 x 1/2 |
| 19.. | 576 689901..... | 1..... | IDLER, PUMP | 41.. | 539 990517..... | 2..... | WASHER 3/8 FLT STD |
| 20.. | 522 805301..... | 1..... | CAP, RESERVOIR | 42.. | 539 990250..... | 7..... | WASHER, SAE |
| 21.. | 576 690001..... | 2..... | SPACER, IDLER | | | | |
| 22.. | 539 990588..... | 1..... | HCS 3/8-16 x 2 | | | | |

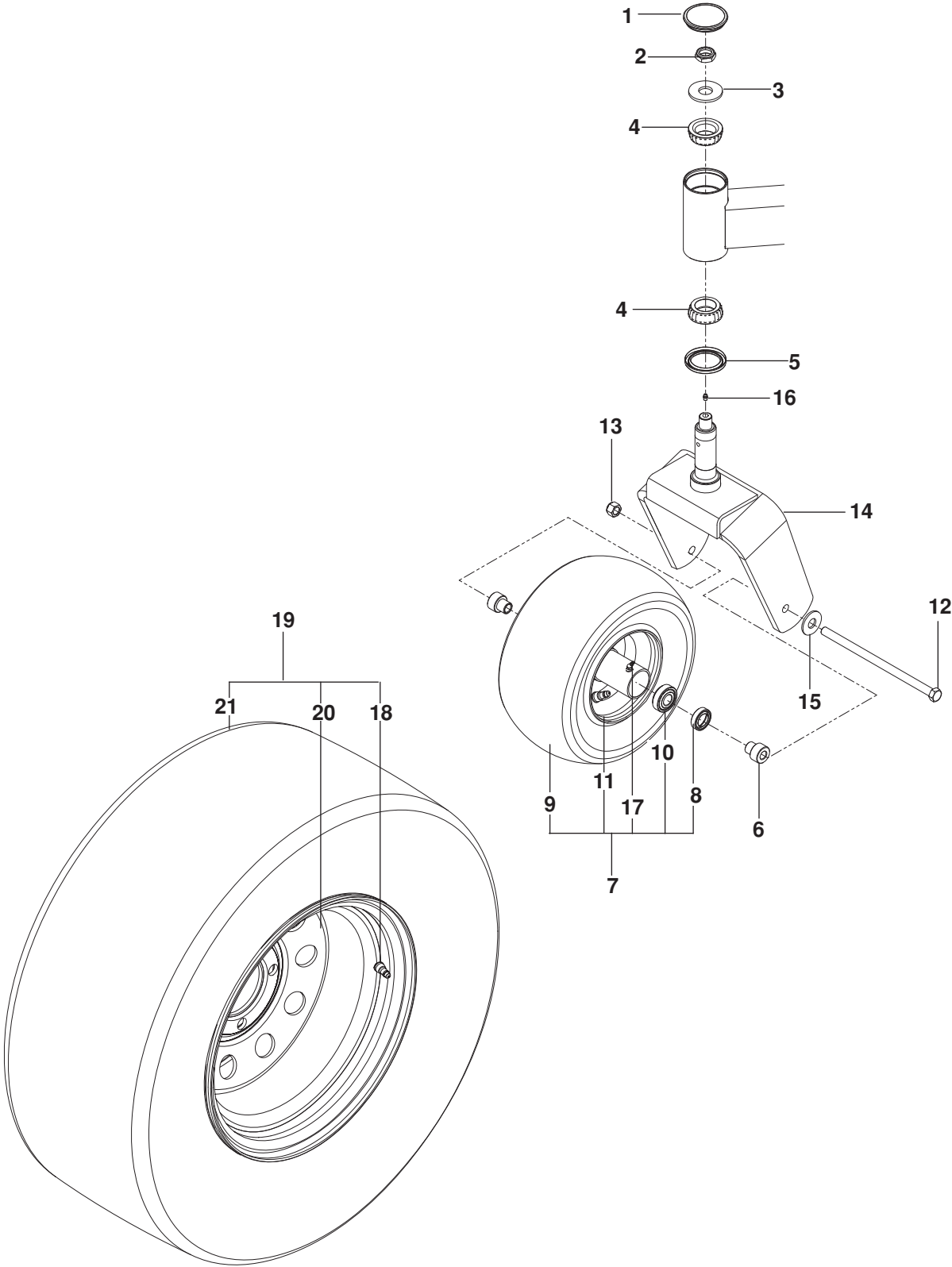
HYDRAULIC PUMP-MOTOR



HYDRAULIC PUMP-MOTOR

| ITEM | PART NO. | QTY. | DESCRIPTION | ITEM | PART NO. | QTY. | DESCRIPTION |
|------|-----------------|--------|------------------------|------|-----------------|--------|-------------------------------|
| 1.. | 515 999101..... | 1..... | MOTOR, PRM, RT | 20.. | 539 131748..... | 2..... | FITTING, HYD |
| 2.. | 515 999201..... | 1..... | MOTOR, PRM, LT | 21.. | 539 132888..... | 2..... | FITTING, 10-8 90° |
| 3.. | 515 998901..... | 1..... | PUMP, 21CC, RT | 22.. | 576 191301..... | 1..... | FITTING, HYD, 6500-10-8 |
| 4.. | 515 999001..... | 1..... | PUMP, 21CC, LT | 23.. | 575 324602..... | 2..... | LINKAGE ASSY, CONTROL |
| 5.. | 575 872301..... | 1..... | HEAD, FILTER | 24.. | 522 559201..... | 2..... | LINKAGE, CONTROL FT |
| 6.. | 576 190602..... | 1..... | MOUNT, FILTER, BLK | 25.. | 575 324601..... | 2..... | LINKAGE, CONTROL |
| 7.. | 522 805401..... | 1..... | FILTER, 25 MICRON | 26.. | 539 110603..... | 4..... | ROD END, SPHERICAL RH |
| 8.. | 516 000101..... | 1..... | LINE, HYD, CASE-PRM | 27.. | 539 109149..... | 2..... | TURNBUCKLE 3/8 |
| 9.. | 574 888801..... | 1..... | LINE, HYD, LT-AA | 28.. | 539 990072..... | 2..... | HCS 1/4-20 x 5/8 |
| 10.. | 574 889001..... | 1..... | LINE, HYD, LT-BB | 29.. | 539 990622..... | 4..... | BOLT 1/2-13 x 1 1/4 WHIZLK SP |
| 11.. | 574 889101..... | 1..... | LINE, HYD, RT-AB | 30.. | 539 990208..... | 2..... | RHSNB 5/16-18 x 1 |
| 12.. | 574 889201..... | 1..... | LINE, HYD, RT-BA | 31.. | 539 112899..... | 2..... | NUT 5/16-18 HEX FLANGE NYLOC |
| 13.. | 576 045001..... | 1..... | LINE, HYD, SUCTION | 32.. | 539 101173..... | 8..... | NUT 1/2 LUG |
| 14.. | 574 889501..... | 1..... | LINE, HYD, CASE-PUMP | 33.. | 539 108732..... | 2..... | NUT 3/8-24 HEX JAM |
| 15.. | 576 045101..... | 1..... | LINE, HYD, CHARGE | 34.. | 539 110943..... | 4..... | NUT 5/16-24 NYLOC |
| 16.. | 576 045201..... | 1..... | LINE, HYD, CHARGE | 35.. | 539 990223..... | 4..... | NUT 5/16-24 HEX |
| 17.. | 539 132889..... | 7..... | FITTING, 10-8 STRAIGHT | 36.. | 521 991101..... | 2..... | NUT 1/2-13 HEX FLG NYLOC |
| 18.. | 539 106370..... | 1..... | FITTING | 37.. | 539 990052..... | 2..... | WASHER 1/4 SPLT LK |
| 19.. | 539 101242..... | 4..... | ELBOW 90° ADJ | | | | |

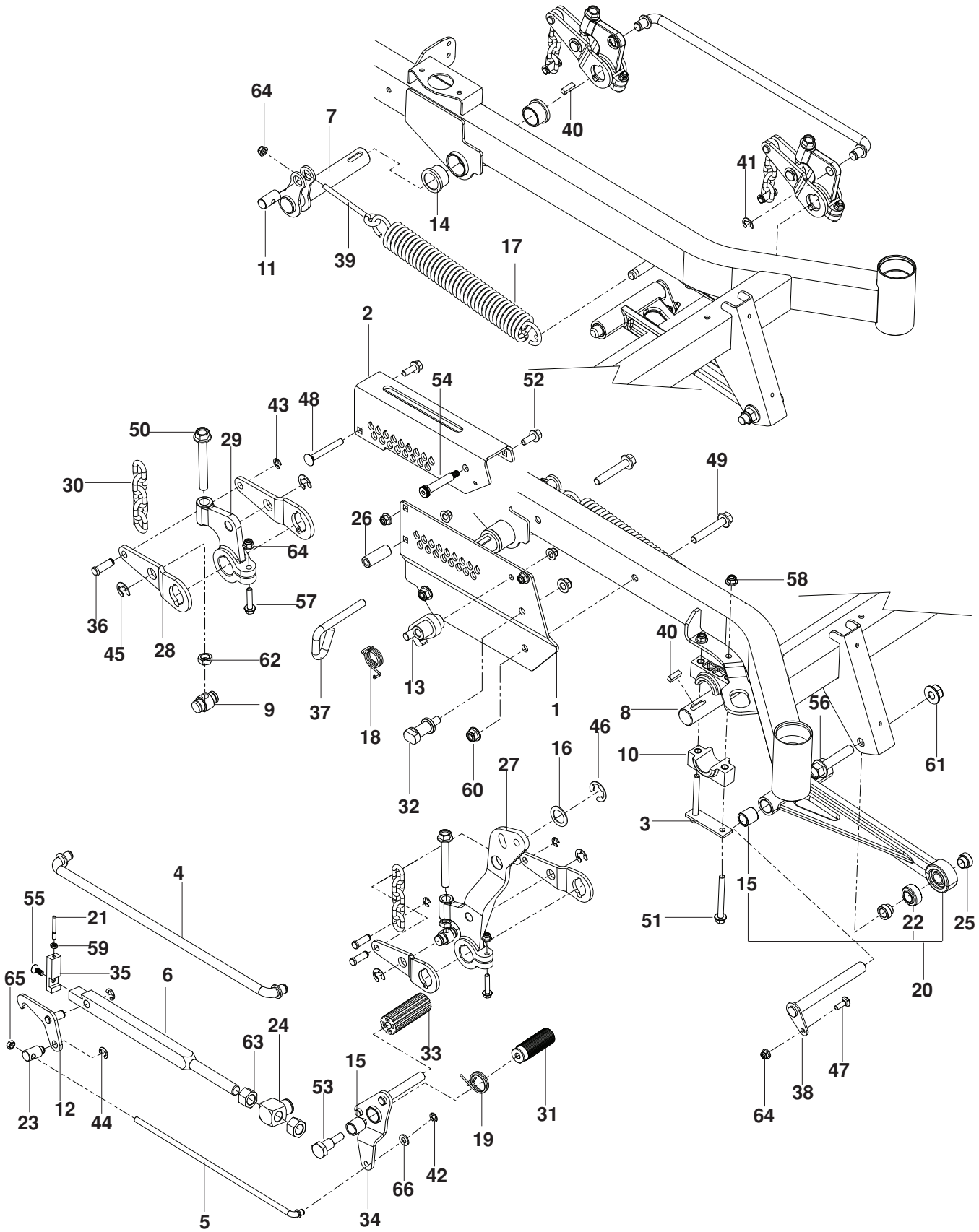
WHEELS AND TIRES



WHEELS AND TIRES

| ITEM | PART NO. | QTY. | DESCRIPTION | ITEM | PART NO. | QTY. | DESCRIPTION |
|------|-----------------|--------|------------------------------|-----------------|-----------------|---------------------------------------|------------------------|
| 1.. | 510 034001..... | 2..... | CAP, DUST | 13.. | 521 991101..... | 2..... | NUT ½-13 HEX FLG NYLOC |
| 2.. | 522 842601..... | 2..... | NUT ¾-16 HEX THIN NYLOC | 14.. | 525 611902..... | 2..... | FORK, CASTER ORG |
| 3.. | 574 824701..... | 2..... | WASHER ¾ HARDENED | 15.. | 539 990250..... | 2..... | WASHER ½ SAE |
| 4.. | 510 034403..... | 4..... | BEARING, CONE | 16.. | 539 101474..... | 2..... | ZERK |
| 5.. | 510 034301..... | 2..... | SEAL, BEARING | 17.. | 539 103300..... | 2..... | ZERK |
| 6.. | 539 105518..... | 4..... | AXLE SPACER | 18.. | 539 912234..... | 2..... | STEM, VALVE |
| 7.. | 510 154601..... | 2..... | TIRE ASSY 13 x 6.5, FLT FREE | 19.. | 516 022901..... | 2..... | WHEEL ASSY |
| 8.. | 539 105524..... | 4..... | SEAL | 20.. | 516 022902..... | 2..... | RIM 12 x 8.5 CENTERED |
| 9.. | 539 105522..... | 2..... | TIRE, CASTER | 21.. | 539 107715..... | 2..... | TIRE 26 x 12-12 |
| 10.. | 539 105525..... | 4..... | BEARING | NOT SHOWN | | | |
| 11.. | 539 105523..... | 2..... | RIM | 539 105521..... | 2..... | TIRE ASSY 13 x 6.5 PNEU (optional) | |
| 12.. | 539 105517..... | 2..... | BOLT ½-13 x 9½ HEX NYLOC | | | | |

MOWER LIFT / DECK LIFT

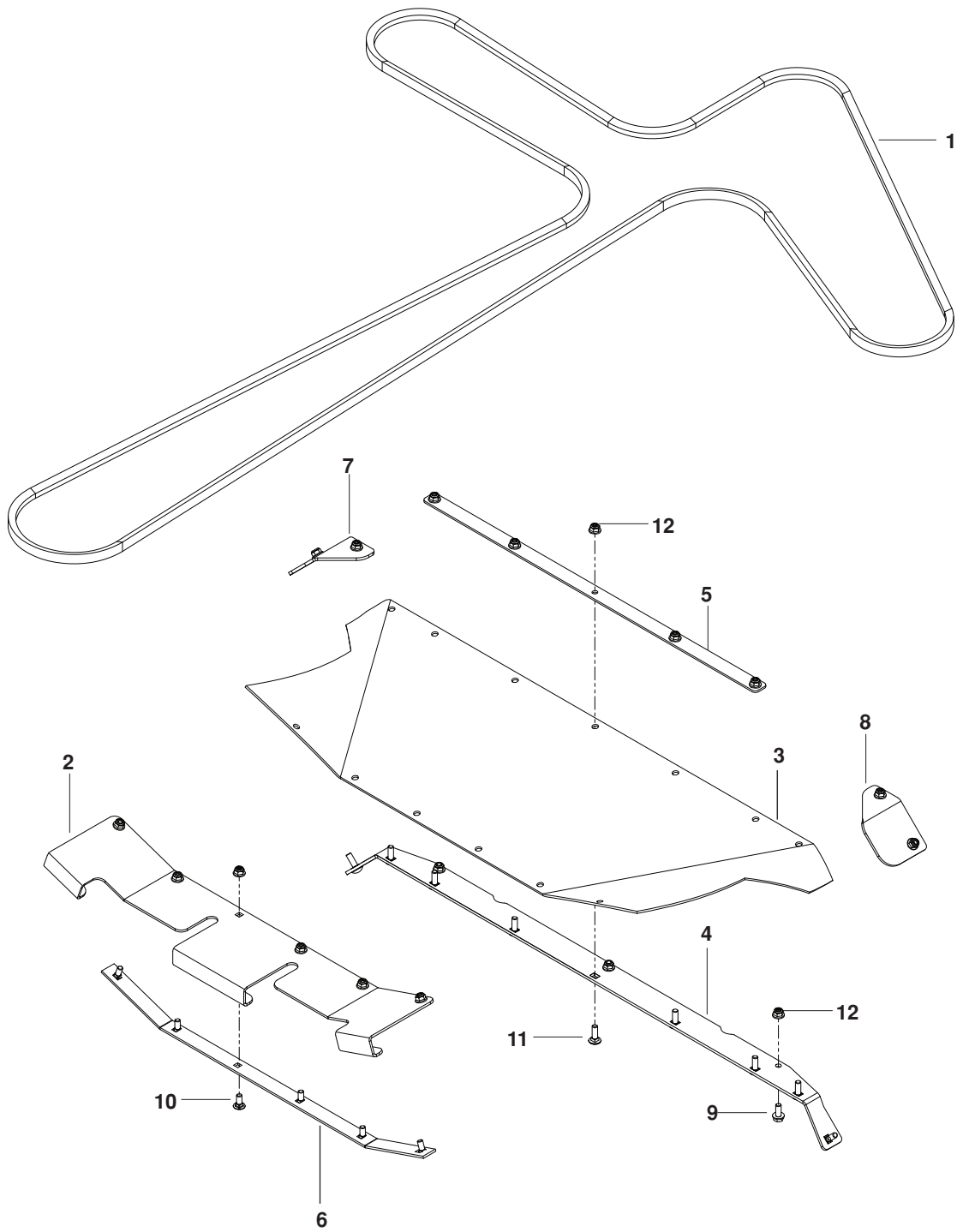


MOWER LIFT / DECK LIFT

| ITEM | PART NO. | QTY. | DESCRIPTION | ITEM | PART NO. | QTY. | DESCRIPTION |
|------|-----------------|--------|----------------------|------|-----------------|--------|----------------------------|
| 1.. | 510 408502..... | 1..... | PLATE, INNER HEIGHT | 36.. | 510 090101..... | 8..... | PIN 7/16 CLEVIS |
| 2.. | 510 408602..... | 1..... | PLATE, OUTER HEIGHT | 37.. | 510 016501..... | 1..... | PIN, HEIGHT |
| 3.. | 525 822201..... | 2..... | PLATE, PILLOW BLOCK | 38.. | 515 988201..... | 2..... | PIN, STRUT |
| 4.. | 510 089801..... | 2..... | ROD, LIFT | 39.. | 539 120993..... | 2..... | EYEBOLT 4½ |
| 5.. | 510 407601..... | 1..... | ROD, HEIGHT LATCH | 40.. | 525 822501..... | 4..... | KEY 5/16 SQ x 1 |
| 6.. | 510 406301..... | 1..... | BAR, HEIGHT | 41.. | 539 105069..... | 4..... | E-RING 5/8" |
| 7.. | 510 410703..... | 2..... | SHAFT, LIFT RR | 42.. | 539 990870..... | 1..... | E- RING 3/8" |
| 8.. | 510 409602..... | 1..... | SHAFT, LIFT FT | 43.. | 522 705201..... | 4..... | E-RING 7/16" |
| 9.. | 510 023601..... | 4..... | TRUNION, LIFT SHAFT | 44.. | 539 101949..... | 2..... | E-RING ½" |
| 10.. | 510 023902..... | 4..... | BLOCK, PILLOW | 45.. | 539 102454..... | 3..... | E-RING ¾" |
| 11.. | 510 412301..... | 2..... | PIVOT, SPRING | 46.. | 539 912730..... | 1..... | E-RING 1" |
| 12.. | 510 407201..... | 1..... | LATCH, HEIGHT | 47.. | 539 990208..... | 2..... | RHSNB 5/16-18 x 1 |
| 13.. | 510 406801..... | 1..... | LATCH, TRANSPORT | 48.. | 539 122728..... | 1..... | RHSNB 3/8-16 x 3 GR 2 |
| 14.. | 510 089401..... | 4..... | BUSHING, FLANGED | 49.. | 525 828901..... | 2..... | HHFS ½-13 x 3 |
| 15.. | 510 089201..... | 2..... | BUSHING, SLEEVE | 50.. | 525 465701..... | 4..... | HHFS ½-13 x 4 TPBLT |
| 16.. | 539 916561..... | 1..... | BUSHING | 51.. | 525 822101..... | 4..... | HHFS 3/8-16 x 3½ |
| 17.. | 510 029201..... | 2..... | SPRING, EXTENSION | 52.. | 525 612801..... | 2..... | HHFS 3/8-16 x 1 |
| 18.. | 510 376601..... | 1..... | SPRING, TORSION | 53.. | 510 408201..... | 1..... | BOLT, SHOULDER |
| 19.. | 510 376701..... | 1..... | SPRING, TORSION | 54.. | 516 035501..... | 1..... | BOLT ½ x 2¼, 3/8-16 SHLDR |
| 20.. | 510 106501..... | 2..... | STRUT ASSY | 55.. | 522 705601..... | 1..... | SCREW 5/16-18 x ¾ HEX SCKT |
| 21.. | 510 406601..... | 1..... | LINK, INDICATOR | 56.. | 525 829001..... | 2..... | HHFS 5/8-11 x 3 HEX FLG |
| 22.. | 510 083801..... | 1..... | SWIVEL ¾ BALLJOINT | 57.. | 525 465401..... | 1..... | HHFS 5/16-18 x 1½ HEX FLG |
| 23.. | 510 407501..... | 1..... | SWIVEL, HEIGHT LATCH | 58.. | 521 996501..... | 4..... | NUT 3/8-16 HEX FLG NYLOC |
| 24.. | 510 406401..... | 1..... | SWIVEL, HEIGHT BAR | 59.. | 539 991112..... | 1..... | NUT ¼-20 JAM |
| 25.. | 510 362501..... | 4..... | SPACER, STRUT | 60.. | 521 991101..... | 3..... | NUT ½-13 HEX FLG NYLOC |
| 26.. | 510 408401..... | 1..... | SPACER, HEIGHT PLATE | 61.. | 525 829101..... | 2..... | NUT 5/8-11 FLG NYLOC |
| 27.. | 510 022502..... | 1..... | LEVER, DECK LIFT | 62.. | 539 990625..... | 4..... | NUT ½-13 HEX JAM |
| 28.. | 510 410002..... | 4..... | ARM, LIFT | 63.. | 539 108677..... | 2..... | NUT ¾-10 HEX |
| 29.. | 510 022501..... | 1..... | ARM, CAST LIFT | 64.. | 539 112899..... | 8..... | NUT 5/16-18 HEX FLG NYLOC |
| 30.. | 539 102641..... | 4..... | LIFT CHAIN | 65.. | 539 108732..... | 1..... | NUT 3/8-24 HEX JAM |
| 31.. | 510 089501..... | 1..... | PAD, FOOT PEDAL | 66.. | 539 990122..... | 1..... | WASHER 3/8 SAE FLT |
| 32.. | 510 406701..... | 1..... | GUIDE, HEIGHT BAR | | | | NOT SHOWN |
| 33.. | 510 408301..... | 1..... | PEDAL, DECK HEIGHT | | 525 465501..... | 3..... | DECK LIFT CRANK ASSY |
| 34.. | 510 407801..... | 1..... | PEDAL, RELEASE | | 525 465502..... | 1..... | DECK LIFT LEVER ASSY |
| 35.. | 510 406501..... | 1..... | CAP, HEIGHT BAR | | | | |

DECK DRIVE

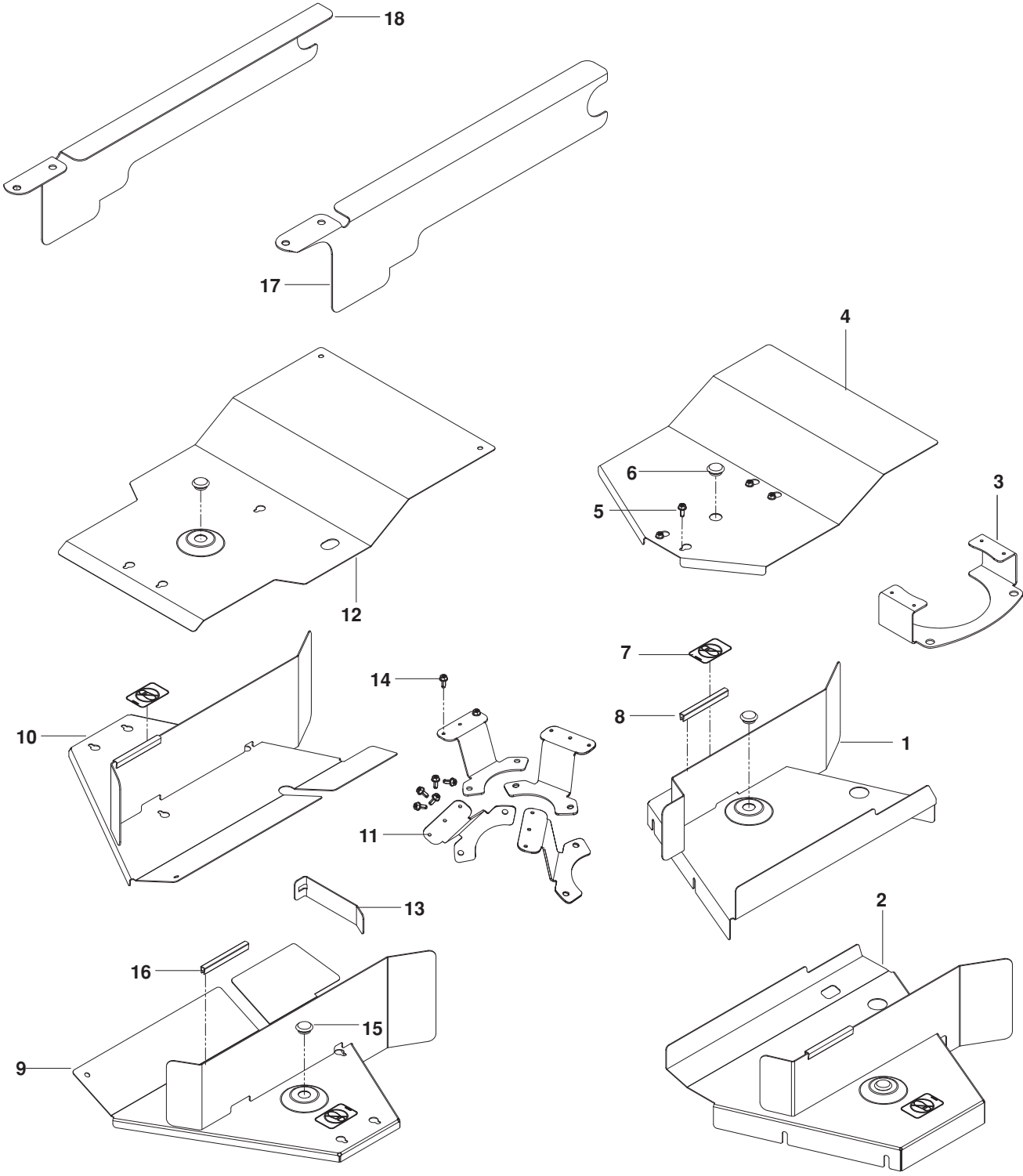
Drive Kit - Combi Deck



DECK DRIVE

| ITEM | PART NO. | QTY. | DESCRIPTION | ITEM | PART NO. | QTY. | DESCRIPTION |
|------|-----------------|--------|-----------------------|------|-----------------|---------|--|
| 1.. | 522 860202..... | 1..... | BELT | 7.. | 575 675602..... | 1..... | BRACKET, LT |
| 2.. | 575 675202..... | 1..... | BRACKET, RR MOUNT BLK | 8.. | 575 675502..... | 1..... | BRACKET, RT |
| 3.. | 575 675701..... | 1..... | GUARD, DEBRIS | 9.. | 525 464701..... | 3..... | HHFS $\frac{5}{16}$ -18 x $\frac{3}{4}$ |
| 4.. | 575 568602..... | 1..... | PLATE, MOUNTING | 10.. | 539 990316..... | 6..... | RHSNB $\frac{5}{16}$ -18 x $\frac{3}{4}$ |
| 5.. | 575 571802..... | 1..... | STRAP, LONG | 11.. | 539 990208..... | 9..... | RHSNB $\frac{5}{16}$ -18 x 1 |
| 6.. | 575 675402..... | 1..... | STRAP, SHORT | 12.. | 539 112899.... | 18..... | NUT $\frac{5}{16}$ -18 HEX FLG |

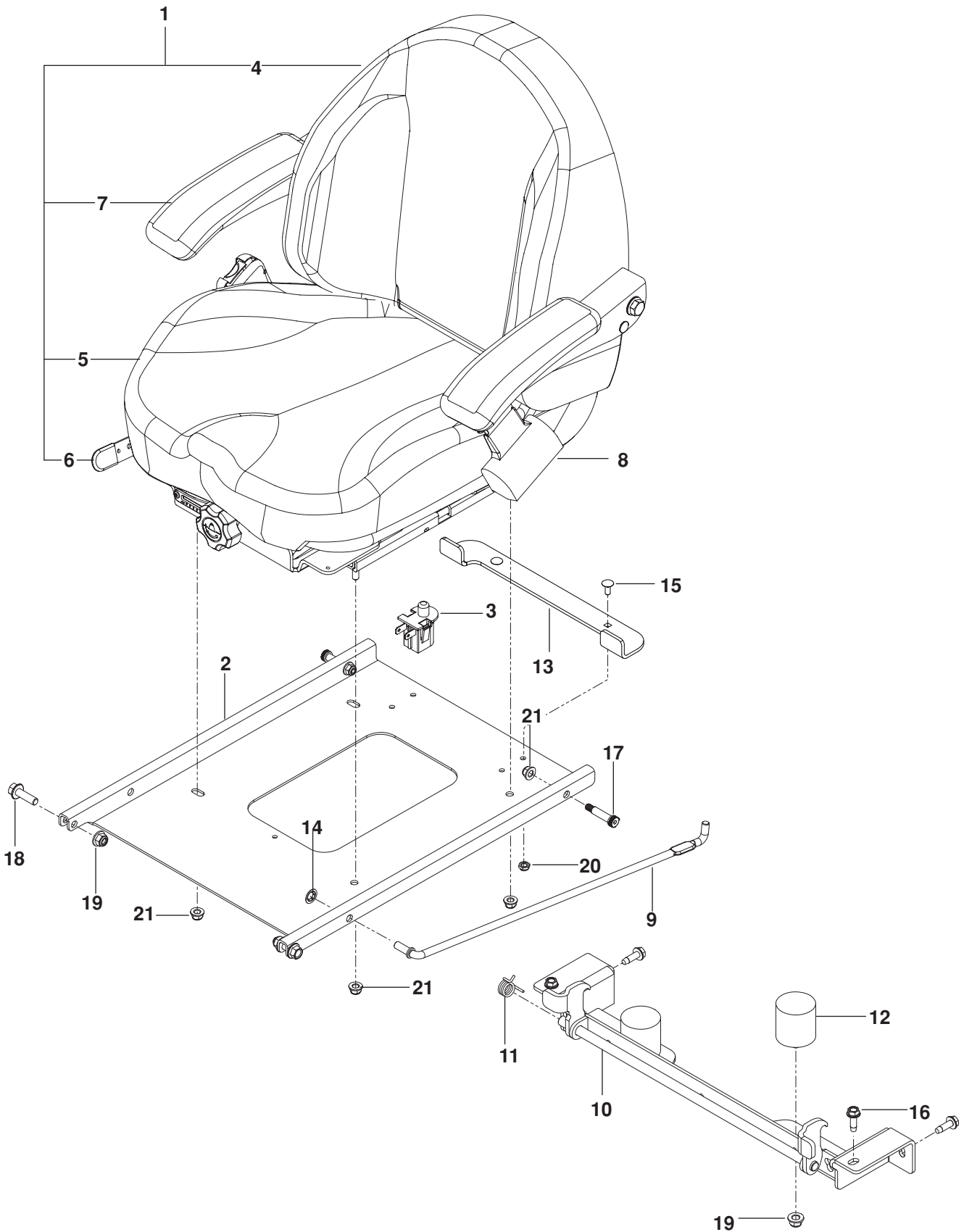
GUARDS



GUARDS

| ITEM | PART NO. | QTY. | DESCRIPTION | ITEM | PART NO. | QTY. | DESCRIPTION |
|-------------------|-----------------|--------|-----------------------------|--------------|-----------------|--------|---------------|
| FLAT DECK | | | | FRAME | | | |
| 1.. | 577 094103..... | 1..... | GUARD LT 60FD, BLK | 17.. | 577 483002..... | 1..... | SKIRT, RT BLK |
| 2.. | 577 094003..... | 1..... | GUARD RT 60FD, BLK | 18.. | 577 482802..... | 1..... | SKIRT, LT BLK |
| 3.. | 577 093802..... | 1..... | BRACKET, GUARD 60FD, BLK | | | | |
| 4.. | 577 093902..... | 4..... | GUARD, CENTER 60FD, BLK | | | | |
| 5.. | 532 137729..... | 4..... | SCREW 1/4-20 x 5/8 THDROLL | | | | |
| 6.. | 539 108382..... | 3..... | PLUG, BUTTON, HOLE | | | | |
| 7.. | 539 105743..... | 2..... | DECAL, EURO NO STEP | | | | |
| 8.. | 539 112294..... | 2..... | FLEX TRIM, BLK | | | | |
| COMBI DECK | | | | | | | |
| 9.. | 577 048303..... | 1..... | GUARD, LT BLK | | | | |
| 10.. | 577 048203..... | 1..... | GUARD, RT BLK | | | | |
| 11.. | 577 012502..... | 4..... | BRACKET, BELT COVER BLK | | | | |
| 12.. | 577 048102..... | 1..... | GUARD, CENTER BLK | | | | |
| 13.. | 577 512802..... | 2..... | GUARD, COMBI STRUT BLK | | | | |
| 14.. | 532 137729..... | 7..... | SCREW 1/4 -20 x 5/8 THDROLL | | | | |
| 15.. | 539 108382..... | 3..... | PLUG, BUTTON, HOLE | | | | |
| 16.. | 539 112294..... | 2..... | FLEX TRIM, BLK | | | | |

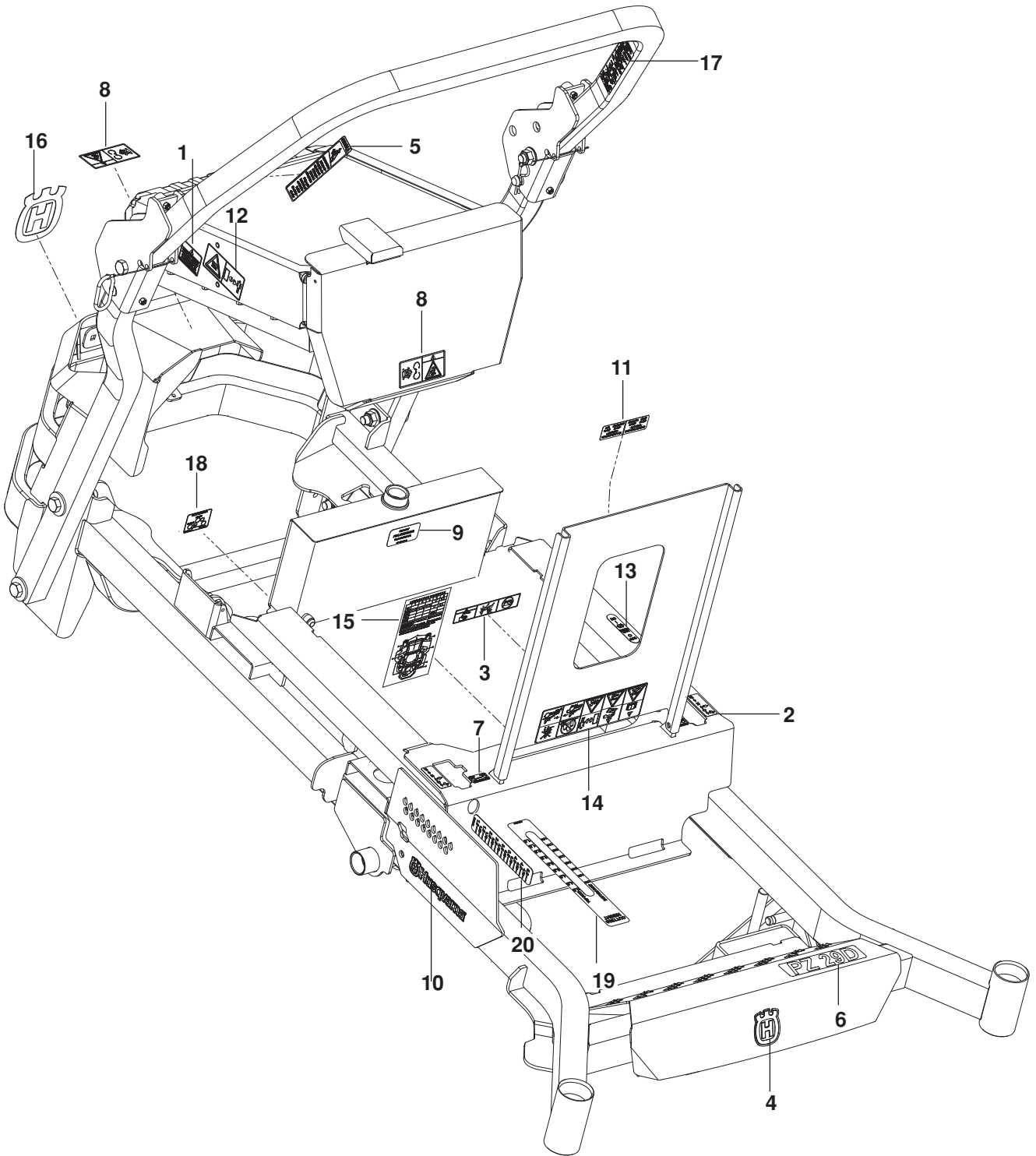
SEAT



SEAT

| ITEM | PART NO. | QTY. | DESCRIPTION | ITEM | PART NO. | QTY. | DESCRIPTION |
|------|-----------------|--------|--------------------|------|-----------------|--------|--|
| 1.. | 574 284601..... | 1..... | SEAT ASSY | 12.. | 510 283801..... | 2..... | BUMPER, RUBBER |
| 2.. | 510 039302..... | 1..... | PAN, SEAT BLK | 13.. | 575 321702..... | 1..... | STOP, SEAT BLK |
| 3.. | 539 119741..... | 1..... | SWITCH, SEAT | 14.. | 539 913847..... | 2..... | NUT $\frac{3}{8}$ RETAINER |
| 4.. | 574 284602..... | 1..... | COVER, BACK | 15.. | 539 111786..... | 2..... | RHSSNB $\frac{1}{4}$ -20 x $\frac{5}{8}$ |
| 5.. | 574 284603..... | 1..... | COVER KIT, CUSHION | 16.. | 539 113226..... | 4..... | BOLT $\frac{5}{16}$ -18 x 1 THD FRM |
| 6.. | 574 284604..... | 1..... | TRACK KIT | 17.. | 515 990601..... | 2..... | BOLT $\frac{3}{8}$ x $1\frac{1}{4}$ $\frac{5}{16}$ -18 SHLDR |
| 7.. | 574 284605..... | 1..... | ARMREST, LT | 18.. | 525 834201..... | 2..... | HHFS $\frac{3}{8}$ -16 x $1\frac{1}{4}$ |
| | 574 284606..... | 1..... | ARMREST, RT | 19.. | 521 996501..... | 4..... | NUT $\frac{3}{8}$ -16 HEX FLG NYLOC |
| 8.. | 539 130359..... | 1..... | SEAT BELT | 20.. | 539 108120..... | 2..... | NUT $\frac{1}{4}$ -20 HEX THIN NYLOC |
| 9.. | 510 064101..... | 1..... | ROD, SEAT | 21.. | 539 112899..... | 6..... | NUT $\frac{5}{16}$ -18 HEX FLANGE NYLOC |
| 10.. | 574 182202..... | 1..... | LATCH, SEAT | | | | |
| 11.. | 520 283101..... | 1..... | SPRING, TORSION | | | | |

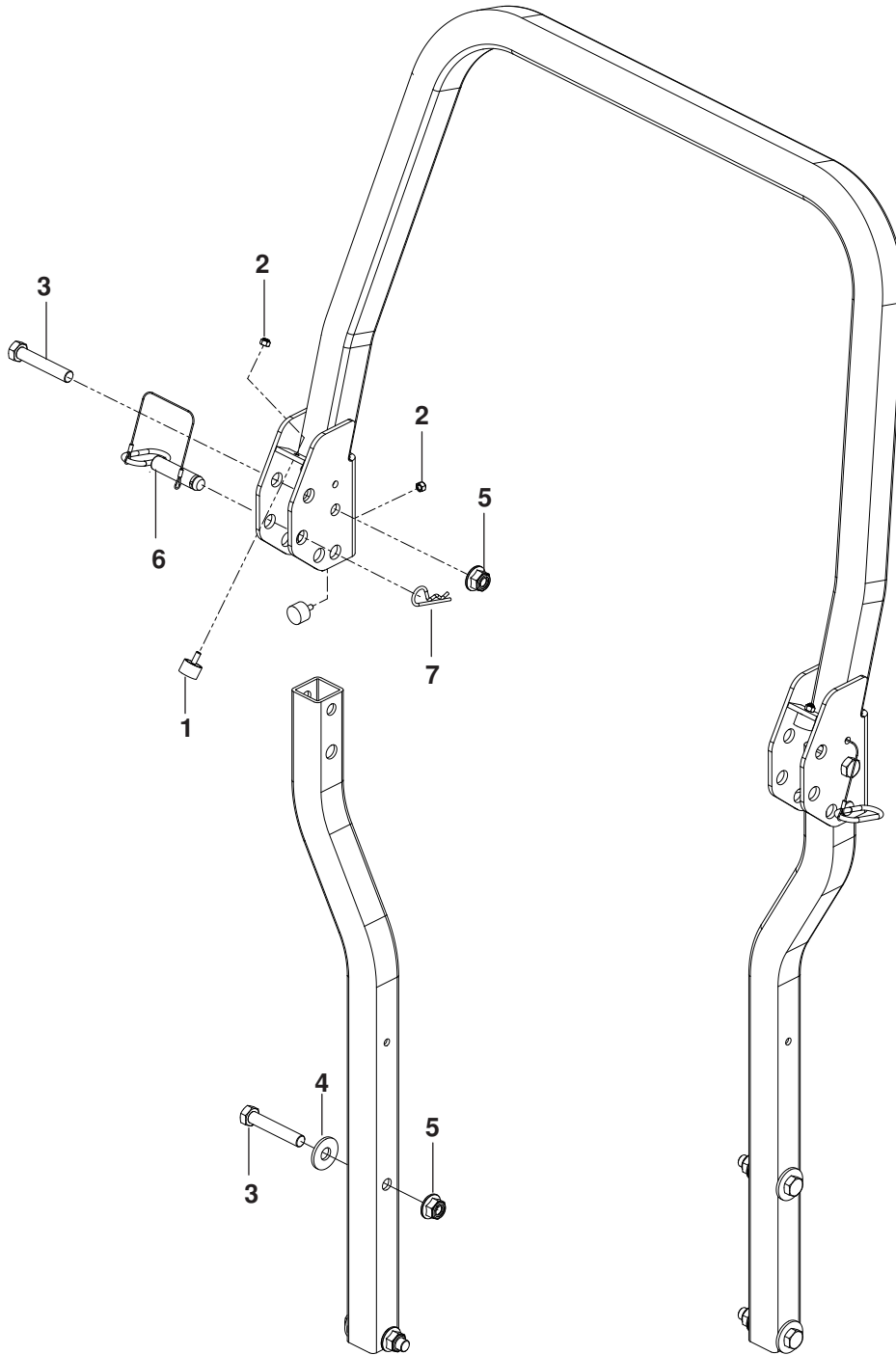
DECALS



DECALS

| ITEM | PART NO. | QTY. | DESCRIPTION | ITEM | PART NO. | QTY. | DESCRIPTION |
|------|-----------------|--------|---------------------------|------|-----------------|--------|------------------------|
| 1.. | 522 860901..... | 2..... | DECAL, DEBRIS SCREEN | 11.. | 574 569402..... | 1..... | DECAL, FUSE, DIESEL |
| 2.. | 539 103333..... | 2..... | DECAL, MOTION CONTROL | 12.. | 539 108497..... | 2..... | DECAL, HOT |
| 3.. | 539 105745..... | 1..... | DECAL, BATTERY WARNING | 13.. | 539 120006..... | 1..... | DECAL, PARK BRAKE |
| 4.. | 532 428676..... | 1..... | DECAL, CROWN | 14.. | 539 107959..... | 1..... | DECAL, WARNING |
| 5.. | 574 569002..... | 1..... | DECAL, ROPS, WARNING | 15.. | 574 825902..... | 1..... | DECAL, SERVICE, DIESEL |
| 6.. | 577 421401..... | 1..... | DECAL, PZ29D | 16.. | 574 455001..... | 1..... | DECAL, CROWN LG |
| 7.. | 539 110974..... | 2..... | DECAL, TRACKING | 17.. | 574 569003..... | 1..... | DECAL, ROPS, DIESEL |
| 8.. | 539 105744..... | 3..... | DECAL, DANGER BELT DRIVES | 18.. | 574 483301..... | 1..... | DECAL, HYDRO BELT |
| 9.. | 539 114832..... | 1..... | DECAL, OIL TANK | 19.. | 516 038102..... | 1..... | DECAL, HEIGHT CE |
| 10.. | 532 429196..... | 2..... | DECAL, HUSQVARNA TEXT | 20.. | 525 349702..... | 1..... | DECAL, HEIGHT CE |

PROTECTION FRAME



PROTECTION FRAME

| ITEM | PART NO. | QTY. | DESCRIPTION |
|------|-----------------|--------|--------------------------|
| 1.. | 522 801401..... | 4..... | BUMPER, MALE STUD 1/4-20 |
| 2.. | 539 976978..... | 4..... | NUT 1/4-20 HEX NYLOC |
| 3.. | 539 115576..... | 6..... | HHB 5/8-18 x 3 1/2 |
| 4.. | 539 102653..... | 4..... | WASHER 5/8 STD FLAT |

| ITEM | PART NO. | QTY. | DESCRIPTION |
|------|-----------------|--------|----------------------|
| 5.. | 525 829101..... | 6..... | NUT 5/8-11 FLG NYLOC |
| 6.. | 574 388001..... | 2..... | LATCH PIN w/ LANYARD |
| 7.. | 539 200715..... | 2..... | PIN, HAIR |